

Espay Solar Energy S.L.

100kW pv distribution distributor



100kW pv distribution distributor

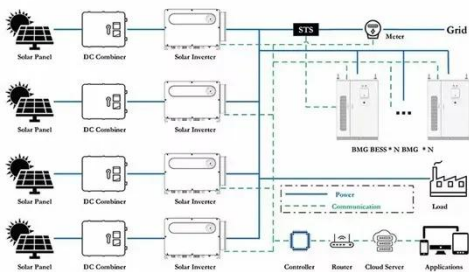


Sellers in China , PV Companies List , ENF Company Directory

List of Chinese solar sellers. Directory of companies in China that are distributors and wholesalers of solar components, including which brands they carry.

Wholesale On Grid Solar System 70KW 80KW 100KW For ...

Greenwatt specializes in supplying hot selling On Grid Solar System 70KW 80KW 100KW for Commercial Use. 20+ years of industry experience, customers all over the world. Contact us now!



Solar PV Distribution Box from 3kW to 100kW

The ACDB (Alternative Current Distribution Box) receives the AC power from the solar inverter and directs it to AC loads through the distribution board. ACDB includes necessary surge protection ...

100KW Solar Power Inverter

System

We're known as one of the most professional 100kw solar power inverter system manufacturers and suppliers in China for our quality products and good service. Please rest assured to wholesale bulk ...



 LFP 48V 100Ah

100KW Solar Power Inverter System

We're known as one of the most professional 100kw solar power inverter system ...

CCL Components

CCL Components - Top Solar & Off-Grid Distributor. We trade supply Inverters, EV Chargers, PV Modules, Solar Inverter Chargers & Energy Storage Batteries.



100kw Solar Pv Power System Suppliers, Manufacturer, Distributor

Alibaba offers 124 100kw Solar Pv Power System Suppliers, and 100kw Solar Pv Power System Manufacturers,

Distributors, Factories, Companies.
There are 94 OEM, 87 ODM, 40 Self
Patent. Find ...



100KW Solar Power System

A 100KW solar power system is a photovoltaic (PV) energy generation system that produces 100 kilowatts (kW) of electricity using solar panels. It is ideal for medium to large-scale ...

CE UN38.3 MSDS



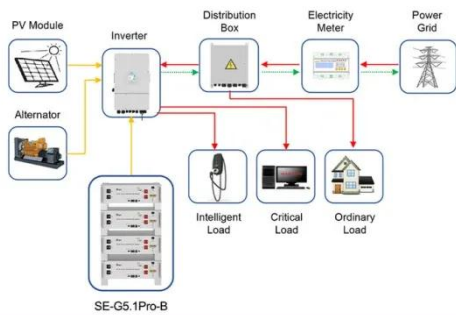
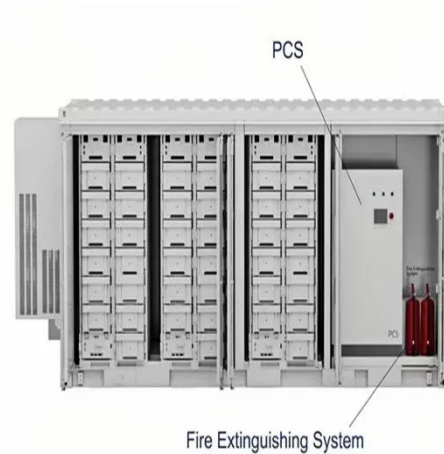
Wholesale Solar Energy Systems , 100kW Home & Portable ...

Discover high-capacity solar systems including 100kW home setups and portable power stations. Optimize energy efficiency with LFP batteries, MPPT tech, and BIPV panels. Request a quote today!

100kVA 100kW Solar Power Plant And Price

Flexible, Scalable Design For Efficient
100kVA 100kW Solar Power Plant. With
Lithium-ion Battery Off Grid Solar

System For A Factory, Hotel, or House Communities.



Application scenarios of energy storage battery products

100kw Hybrid Solar Power System

100KW 70KW 80KW 90KW Hybrid Solar Power System Introduction 100kw hybrid solar system uses solar panels to generate electricity, combined with grid, generator, storage lithium ...

Contact Us

For catalog requests, pricing, or partnerships, please visit:
<https://www.espay.es>

