

**Espay Solar Energy S.L.**

# 1w of solar panel power generation



✓ 100KWH/215KWH

✓ LIQUID/AIR COOLING

✓ IP54/IP55

✓ BATTERY 6000 CYCLES



## Overview

---

A standard solar panel produces about 1- 4 kWh of solar energy daily. The total solar energy produced from a solar panel depends on the sunlight hours & its intensity. Solar energy continues to reshape global power systems, and understanding the annual power generation of 1W photovoltaic (PV) panels is critical for both residential and commercial adopters. This article explores technical calculations, real-world applications, and actionable strategies to maximize. To calculate solar panel output per day (in kWh), we need to check only 3 factors: Solar panel's maximum power rating.

## 1w of solar panel power generation

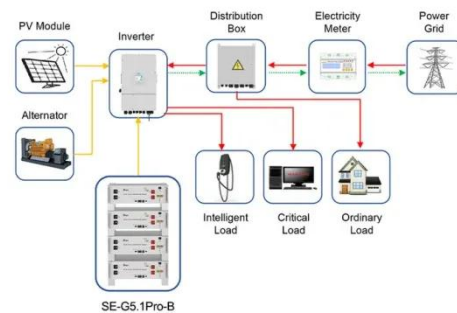


### Annual Power Generation of 1W Photovoltaic Panels: Key ...

This article explores technical calculations, real-world applications, and actionable strategies to maximize energy output - perfect for solar project planners and sustainability enthusiasts alike.

### How Much Energy Can a Solar Panel Produce for ...

Discover how much energy a solar panel can produce. Learn about solar panel output, factors influencing electricity generation, incentives, and more!



Application scenarios of energy storage battery products



### How much energy does a solar panel produce?

Knowing the wattage and peak sun hours, we can calculate how much electricity one solar panel can produce per day:  $\text{Wattage} \times \text{peak sun hours} - 25\% \text{ energy losses from conversion and ...}$

### How many watts is 1w of solar

## energy? , NenPower

To determine how many watts are in 1 watt of solar energy, the answer is straightforward: 1 watt of solar energy is equivalent to 1 watt. However, to broaden this understanding, it is essential ...



## Solar Panel Energy: Get Max Power From Your Panels

Solar panel efficiency describes how well a panel converts sunlight into usable electricity. It is expressed as a percentage. For example, if a panel has 20% efficiency, it means 20% of the ...

## How Much Energy Does A Solar Panel Produce?

If you're thinking about going solar, one of your biggest questions is likely: how much electricity can a solar panel actually produce? This in-depth guide breaks down the numbers, the ...



## What is a 1-Watt Solar Panel?

Discover what is a 1 watt solar panel. Learn about its features, applications, and energy generation capacity.



---

## How Much Energy Does a Solar Panel Produce in 2025?

Discover how much energy solar panels actually produce in 2025. Get real-world data, calculations, and factors affecting solar panel output. Free calculator included.



---

## Solar Panel Output Calculator by Wattage , SolarMathLab

Knowing how much energy your solar panels can generate is key to designing an efficient solar system. The wattage rating of a panel (for example, 400W) represents its power output under ideal test ...

---

## Solar Panel kWh Calculator: kWh Production Per Day, Month, Year

Based on this solar panel output equation, we will explain how you can calculate how many kWh per day your

solar panel will generate. We will also calculate how many kWh per year do solar panels ...



---

## Contact Us

---

For catalog requests, pricing, or partnerships, please visit:  
<https://www.espay.es>

