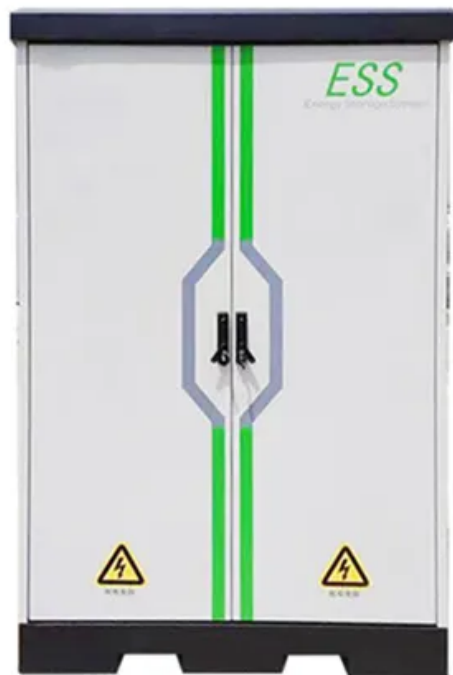


**Espay Solar Energy S.L.**

# **200kWh Photovoltaic Energy Storage Outdoor Cabinet for Tunnels**



## 200kWh Photovoltaic Energy Storage Outdoor Cabinet for Tunnels

---



### 200KWh Outdoor Cabinets energy storage system

Our 200KWh outdoor cabinet energy storage system features a battery pack system enclosure with triple fire protection. With independent relay protection and battery-level thermal monitoring, you can ...

---

### Outdoor Cabinet Energy Storage System 100kw/200kwh

Increased energy independence: With a solar and energy storage system, you can generate your own energy and reduce your dependence on traditional energy sources.



### 200kWh Energy Storage Cabinet / 200kWh PV Ener Cube / ...

Multi-functional: PV + energy storage mode, solving the problem of small power supply in remote areas. Off-grid uninterruptible power supply, dynamic capacity expansion, peak shaving and valley filling to ...

---

### 200kwh Outdoor Integrated Energy

## Storage Cabinet

Frequently asked questions Read more commonly asked questions or learn about what solar storage is.



## 200kWh-241kWh High Voltage Lithium Battery Energy Storage ...

It offers peak shaving, energy backup, demand response, and increased solar ownership capabilities. Additionally, this energy storage system supports grid-tied, off-grid, and hybrid solar systems and can ...

## Outdoor Photovoltaic Energy Cabinet, Base Station Energy Storage

Highjoule's outdoor cabinets can be customized for 3kW to 20kW continuous output and 10kWh to 200kWh of lithium battery storage. The capacity is scalable depending on site load, sunshine hours,

...



## Outdoor ODM BESS Energy Storage System , 50-100kWh Cabinet

Looking for an ODM BESS energy storage

Energy storage(KWh)

**102.4kWh**

Nominal voltage(Vdc)

**512V**

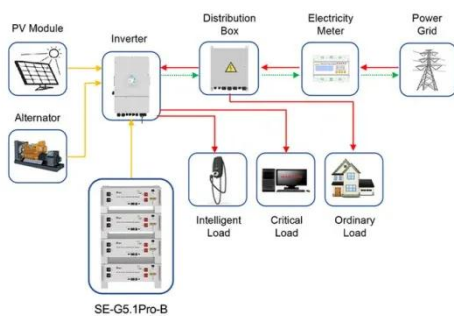
Outdoor All-in-one ESS cabinet



system? Our all-in-one outdoor cabinet (50-100kWh) features an IP55 design, LFP cells, and easy expansion for C& I applications.

## Dawnice 200kWh Battery Storage Systems

The outdoor cabinet-type photovoltaic storage system, boasting a power rating of 100kW/200kWh, seamlessly amalgamates energy storage batteries, PCS, power distribution, ...



Application scenarios of energy storage battery products

## 200KWH OUTDOOR CABINETS ENERGY STORAGE SYSTEM

We are committed to excellence in solar power plants and energy storage solutions. With complete control over our manufacturing process, we ensure the highest quality standards in every solar ...

## Outdoor Energy Storage System Cabinets , EPC Energy

From outdoor energy storage system cabinets to integrated cloud-based controls, EPC Energy has you covered.

We want to help you create a sustainable future.



---

## Contact Us

For catalog requests, pricing, or partnerships, please visit:  
<https://www.espay.es>

