

**Espay Solar Energy S.L.**

# **30kWh Off-Grid Solar Containerized Unit The Best Choice for Community Use**



## 30kWh Off-Grid Solar Containerized Unit The Best Choice for Comm

---



### How to Choose the Best 30kWh Energy Storage System: A Complete

...

This guide covers how to choose 30kwh systems wisely by evaluating performance, safety, warranty, and total cost of ownership--ensuring you make an informed decision based on ...

---

### Off-Grid Solar Systems: Top Picks, Costs, and How to Choose in 2025

One essential component of this setup is the EG4 FlexBoss 18 solar inverter, which efficiently converts solar energy into usable power for your home. This advanced inverter is designed ...



### Best Off Grid Solar Systems (2026), ConsumerAffairs®

Read on to learn about a few of the best companies in the U.S. that can help you design and install your very own off-grid solar system.

---

### 30kWh Enphase Ensemble Package

Shop our 30kWh Enphase Ensemble battery backup package to add an energy storage solution to your solar power system.



## How to Choose the Right Solar Containerized Energy Unit

Learn how to choose the right solar containerized energy unit based on your energy needs, battery size, certifications, and deployment conditions. A practical guide with real examples ...

## UNLOCKING OFF-GRID POWER: THE ULTIMATE GUIDE TO SOLAR ENERGY CONTAINERS

Among the innovative solutions paving the way forward, solar energy containers stand out as a beacon of off-grid power excellence. In this comprehensive guide, we delve into the ...



## 30 kW Solar Kits

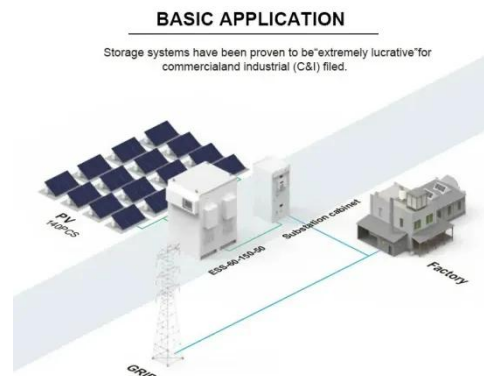
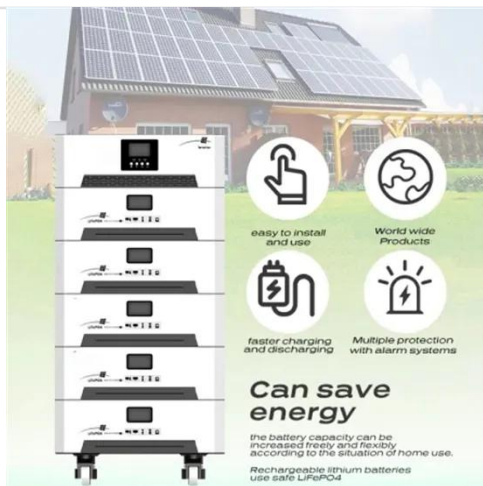
Compare price and performance of the Top Brands to find the best 30 kW solar system with up to 30 year warranty. Buy

the lowest cost 30kW solar kit priced from \$1.12 to \$2.10 per watt with the latest, ...



### 30KW Solar Packages

Complete 30KW Solar Package. This group size is great for Complete Offgrid Homes or Grid Tied setups. These kits will produce around 136KW per day based on 4.5 Hours Sun for the midwest ...

**Can save energy**  
the battery capacity can be increased freely and flexibly according to the situation of home use.  
Rechargeable lithium batteries use safe LiFePO4

- easy to install and use
- World wide Products
- faster charging and discharging
- Multiple protection with alarm systems

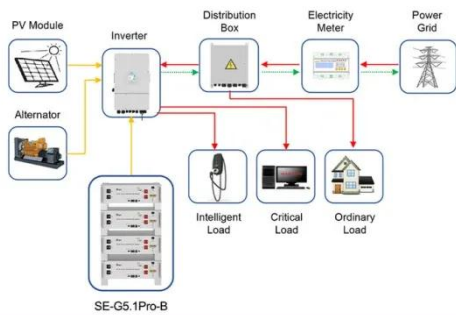
### Off-Grid Solar Storage Systems: Containerized Solutions for Reliable

Explore the benefits and technology behind containerized off-grid solar storage systems. Learn how these scalable, cost-efficient solutions provide reliable power and energy independence ...

### UNLOCKING OFF-GRID POWER: THE ULTIMATE ...

Among the innovative solutions paving the way forward, solar energy containers

stand out as a beacon of off-grid power excellence. In this ...



Application scenarios of energy storage battery products

## The Complete Guide to 30kW Solar Systems: Costs, Battery Storage ...

Whether you're looking to slash energy bills, achieve energy independence, or reduce your carbon footprint, this comprehensive guide answers your top questions about 30kW solar ...

## Contact Us

For catalog requests, pricing, or partnerships, please visit:  
<https://www.espay.es>

