

Espay Solar Energy S.L.

Bosnia and Herzegovina About Solar Systems



Bosnia and Herzegovina About Solar Systems



Bosnia's Renewable Energy Surges 75% in May , Energy News

Bosnia and Herzegovina's renewable electricity generation soared 75% year-on-year in May 2025, driven by hydropower, wind, and solar. Get the latest Bosnia energy news on this shift.

Prospects of renewable energy potentials and development in Bosnia ...

Immense potential also lies in Bosnia and Herzegovina's geothermal energy, however without significant interest of authorities in the development due to initial investments in geothermal ...



Bosnia's Solar Power Surge

Bosnia and Herzegovina is sitting on a vast, underutilized solar energy resource, with around 400 megawatts (MW) of solar capacity currently harnessed. But, according to Edhem ...

Bosnia's solar sector is attracting

international investments for ...

Bosnia and Herzegovina presents a growing and underdeveloped solar market, especially in southern sunny regions and remote agricultural areas. Its favorable sunlight, evolving policy support, and need ...

CE UN38.3 MSDS



- LiFePO₄ Battery, safety
- Wide temperature: -20~55°C
- Modular design, easy to expand
- The heating function is optional
- Intelligent BMS
- Cycle Life: > 6000
- Warranty: 10 years

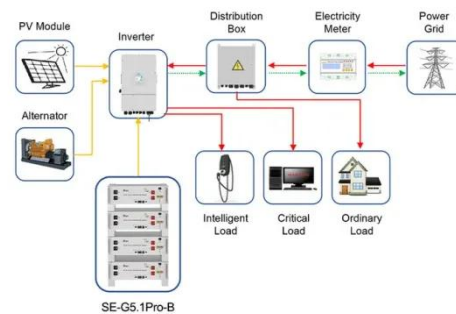


Investors in BiH developing 3,800 MW of wind, 12,500 MW of solar

Wind farms with a capacity of 3,800 MW and solar power plants with a capacity of 12,500 MW are currently in various stages of development in Bosnia and Herzegovina, according to the ...

Solar panel structures Bosnia and Herzegovina

Solar Panels Solar Inverters Mounting Systems Charge Controllers Installation Accessories. Battery Storage Systems Solar Cells Encapsulants Backsheets. Advertising . Bosnia and Herzegovina ...



Application scenarios of energy storage battery products

Bosnia and Herzegovina: the business of photovoltaics

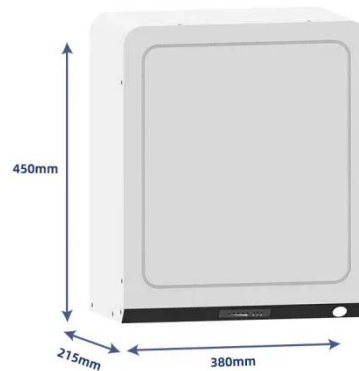
Thanks to its climate, Bosnia and Herzegovina has enormous solar energy potential. Solar radiation levels - with about two thousand hours of sunshine

per year - are higher than those of ...



Bosnia & Herzegovina

Bosnia and Herzegovina has started working on a 125 MW solar plant - its largest to date. China's Norinco International will build the facility, with completion expected in one year.



UNDP presented the first Interactive Solar Atlas in Bosnia and

It is the first publicly available tool that provides all the necessary information about the solar potential in Bosnia and Herzegovina, which was handed over to the Independent System ...

Bosnia & Herzegovina Solar Market Report 2025

Comprehensive Bosnia & Herzegovina solar report covering PV potential, electricity costs, major projects, and investment opportunities for 2025.



Contact Us

For catalog requests, pricing, or partnerships, please visit:
<https://www.espay.es>

