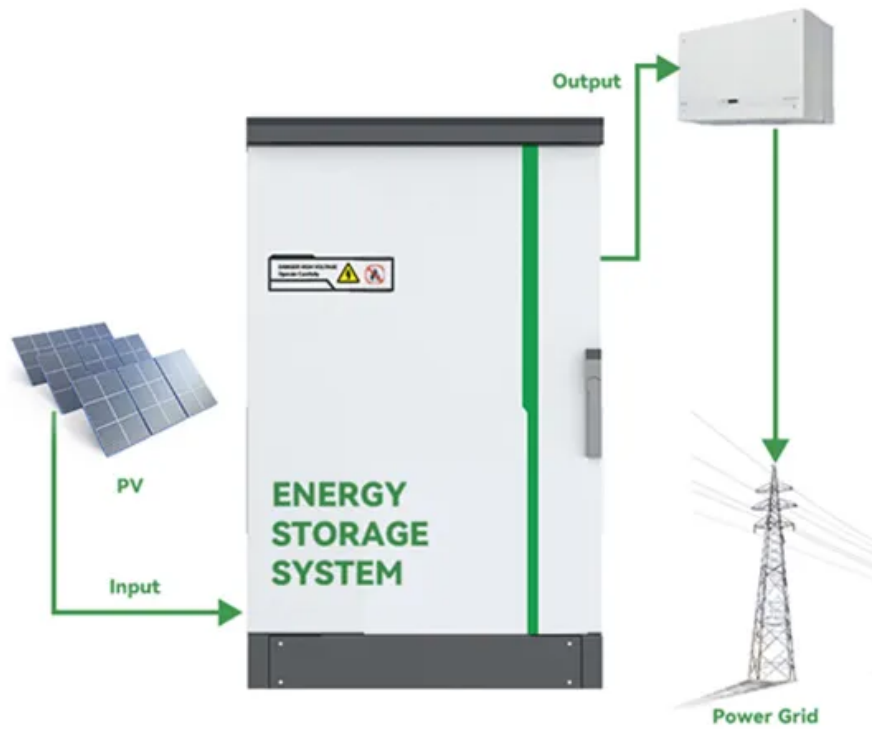


**Espay Solar Energy S.L.**

# **Boston outdoor station battery cabinet manufacturer**



## Overview

---

Our practical, durable cabinets are manufactured from aluminum, and lined with CellBlock's Fire Containment Panels. CellBlockEX provides both insulation and fire-suppression, to keep your assets and personnel safe from hazardous lithium-ion battery fires. Most industrial off-grid solar power systems, such as those used in the oil & gas patch and in traffic control systems, use a battery or multiple batteries that need a place to live, sheltered from the elements and kept dry and secure. A typical cabinet integrates batteries, racking and chargers into an indoor (NEMA 1 or IP21) or outdoor (NEMA 3R or IP54) rated enclosure. There are many different options and accessories. When your network infrastructure demands reliable outdoor protection, American Products delivers weatherproof telecom enclosures engineered for performance and built to last. ATESS energy storage systems are designed for a wide range of applications, suitable for small commercial use from 5kW to 50kW, as well as commercial and industrial use ranging from 30kW to MW scale. Our product offerings include hybrid inverters, battery inverters, battery solutions, solar charge.

## Boston outdoor station battery cabinet manufacturer

---



### Battery Solutions , Strong Energy Storage System

The ATESS battery energy storage cabinet adopts advanced three-level BMS and modular design, featuring high protection level and efficient energy management capabilities.

### Lithium-Ion Battery Charging Safety Cabinet

Use the chart below to identify the energy of your batteries and how many can be in the Justrite lithium-ion battery charging cabinet at one time. Keep your batteries easily accessible while they charge in a ...



**215kWh**

8,000+ Cycles Lifetime

IP54 Protection Degree



### Battery Cabinets & Racks

Eram Power Electronics Company designs and builds custom DC enclosures for battery systems and/or chargers. A typical cabinet integrates batteries, racking and chargers into an indoor (NEMA 1 or ...

## Battery Enclosures & Cabinets

Battery enclosure boxes also feature locking mechanisms that protect unauthorized people against possible electrical dangers if they happen to be tampering with your equipment. Our battery ...



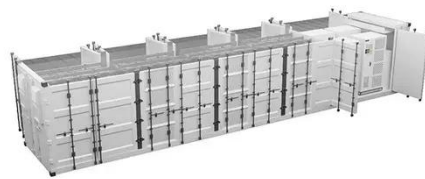
## IP55 Battery Racks , NEMA Battery Cabinets , IP55 Outdoor Battery

The outdoor battery cabinet enclosure is well suited for power equipment, batteries, telecom gear, all integrated into a robust, economical package.



## Outdoor Enclosures , NEMA-Rated Telecom Cabinets , IP55, IP65

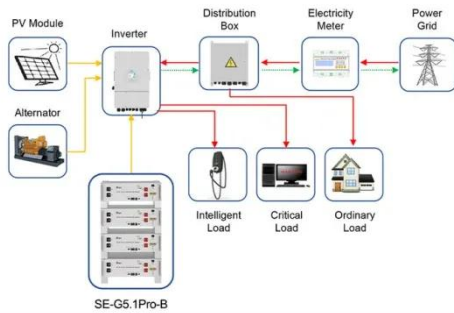
Perfect for industrial equipment, electrical cabinets, and outdoor installations, our enclosures offer customizable solutions for renewable energy, telecommunications, and more.



## CellBlock Battery Fire Cabinets

Our practical, durable cabinets are manufactured from aluminum, and lined with CellBlock's Fire Containment Panels. CellBlockEX provides both insulation and

fire-suppression, to keep your assets ...



Application scenarios of energy storage battery products

### Space Age Electronics, Inc.

Space Age is a life safety manufacturer offering complete engineering and design solutions to help contractors increase profits, save time, and reduce liability.



### Power-Sonic , Trusted Battery Solutions

Power-Sonic delivers innovative battery solutions with sealed lead acid and lithium batteries, energy storage systems, and EV chargers.

### Outdoor Telecom Cabinets & Enclosures , NEMA-Rated

Our team brings over 36 years of manufacturing experience to every outdoor cabinet project. Whether you're planning a single installation or a large-

scale network deployment, we deliver  
BABA-compliant ...



---

## Contact Us

---

For catalog requests, pricing, or partnerships, please visit:  
<https://www.espay.es>

