

Espay Solar Energy S.L.

Bulk purchase of 20kW energy storage cabinets for oil refineries



Bulk purchase of 20kW energy storage cabinets for oil refineries

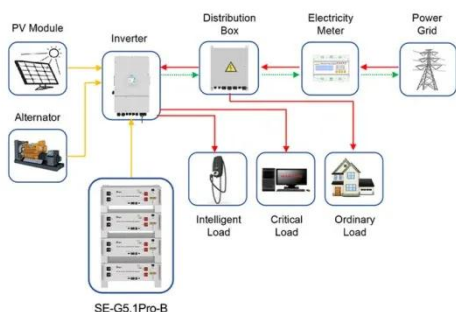


Energy Storage Cabinet Bidding Information: How to Navigate the ...

With projects like State Grid Gansu's 291kWh solid-state battery cabinet procurement (¥645,000 budget) [1] and Southern Power Grid's 25MWh liquid-cooled cabinet framework tender ...

20kW Energy Storage Equipment Price: Key Factors and Market ...

Discover what drives the cost of 20kW energy storage systems and how market dynamics shape pricing for commercial and industrial applications. This guide breaks down price components, regional ...



Application scenarios of energy storage battery products

Energy Industry Storage Storage Solutions , Energy Sector Storage

Our storage solutions are ideal for the harsh environments of the energy industry. Add weatherproofing features to ensure your cabinet performs in the toughest environments.

Energy Storage Equipment, Energy

storage solutions, Lithium battery

Huijue Group offers industrial and commercial energy storage, PV-BESS -EV Charging, Off-grid / On-grid Microgrid, telecom site solutions, and home solar energy storage, ensuring ...



Industrial ESS Cabinets: Large-Scale Energy Storage Solutions

Industrial ESS Cabinets provide megawatt-scale energy storage for factories, data centers & utilities. Discover how these high-capacity battery systems reduce demand charges, enable renewables ...

Energy Storage Cabinets: Demand Is Rising. Profits Follow.

The All-in-One Cabinet Energy Storage System is a high-value professional solution, perfectly suited for bulk import and wholesale distribution across commercial and industrial markets.



Cabinet Energy Storage System , VREMT

Discover our high-efficiency, modular battery systems with zero capacity loss and rapid multi-cabinet response. Ideal

for industrial, commercial, and emergency applications, our solutions offer remote ...



Energy Storage Cabinet Outdoor 20KW 50KWh/ 30KW 60KWh

HBOWA is an experienced energy storage battery manufacturer, our energy storage systems are competitive with the factory price, and OEM and ODM services are available.



Energy Storage Enclosures/Cabinets , Modular Design to Meet ...

Our battery storage cabinets are constructed with a modular design, providing optimal flexibility for businesses across various sectors. Our power storage cabinets also adhere to safety and quality ...

Cabinets and racks - KonkaEnergy

KonkaEnergy Cabinets & Racks Collection - Engineered for secure and efficient energy storage, our battery

cabinets and racks provide robust solutions for commercial and industrial applications.



Contact Us

For catalog requests, pricing, or partnerships, please visit:
<https://www.espay.es>

