

**Espay Solar Energy S.L.**

# **Burundi energy storage regulations**



## Burundi energy storage regulations

---



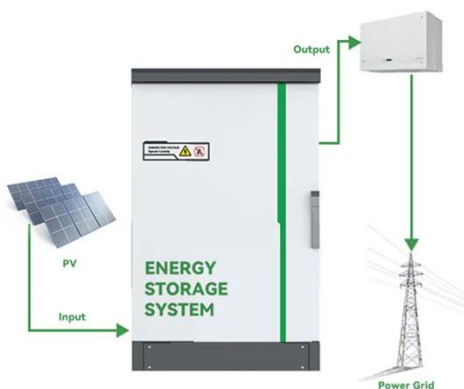
### Burundi's Energy Revolution: How Storage Power Stations Are ...

As we approach Q4 2025, Burundi's storage sector shows no signs of slowing down. The energy ministry's draft policy aims for 300MW of installed storage capacity by 2028.

---

### Is Burundi's Distributed Energy Storage Reliable? Key Insights

Summary: Burundi's distributed energy storage systems are gaining traction as solutions to chronic power shortages. This article explores their reliability, challenges, and real-world applications while ...



---

### Energy Storage Burundi Subsidy

The storage system must be paired with a solar installation. from a 2022 survey of energy storage developers, and it provides a "deeper dive" into key state energy storage policy priorities and the ...

---

### Energy Law at Burundi

? Regulatory Authority Authority for Regulation of Water and Energy Sectors (AREEN): Established in 2018, AREEN is the independent regulatory body overseeing Burundi's electricity and ...

114KWh ESS



ISO 9001 ISO 14001 PICC RoHS CE MSDS UN38.3 UK CA IEC

## Burundi Energy Situation

Energy Code Governance In July 2019, Ofgem and the government published a joint consultation setting out proposals on reforming the energy industry codes 3 - the technical and ...



## Co-Branded Strategic Partnerships Project Report Cover

The report provides and overview of the energy environment in Burundi, including renewable energy potential, stakeholders, the regulatory environment, and the country's energy and ...



## Burundi 2025 Energy Storage Power Station Project

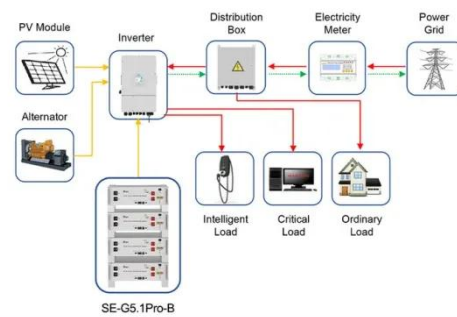
The entrance of battery energy storage systems (BESS) to the Australian National Energy Market (NEM) is



operating ahead of any significant changes to the regulatory framework to address the role that ...

### Burundi Energy Situation

Energy Situation Solar Energy Solar energy is the most common off-grid electricity source in Burundi, although the number of systems installed is very slow. With the global price dropping of solar ...



Application scenarios of energy storage battery products



### Energy Act 2023: System Operation and Energy Code Governance , Burundi

Energy Code Governance In July 2019, Ofgem and the government published a joint consultation setting out proposals on reforming the energy industry codes 3 - the technical and ...

### A review of sustainable planning of Burundian energy sector in ...

A particular emphasis is made on Burundi due to its poor energy access with a highest dependence on traditional

use of biomass energy in the region.  
Hence, this article aimed at ...



---

## Contact Us

---

For catalog requests, pricing, or partnerships, please visit:  
<https://www.espay.es>

