

Espay Solar Energy S.L.

Buttons on the photovoltaic grid-connected inverter



Overview

From left to right, here are what the icons represent: PV Module icon (top left): PV arrays connected to the inverter Battery icon (botto. From left to right, here. Pic 1. 1 Front view Single Phase String Power Inverter can convert solar panel DC power into AC power which can directly input to the grid. PV arrayInverter Metering Power grid Family load About. Read Documents the manual must and be stored other carefully related documents and be available before at performing all times. Contents any operation updated or may on be periodically inverter. These models contain SUN-◆◆K-G-LV, SUN-◆◆K-G-LV, The following is collectively referred to as "inverter".

Buttons on the photovoltaic grid-connected inverter

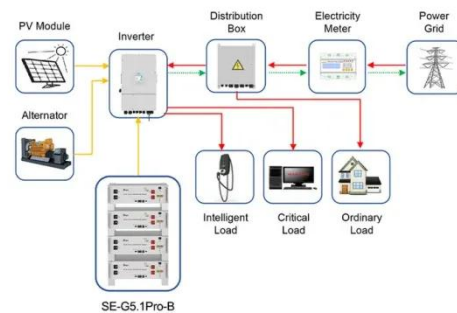


INVT Photovoltaic Grid-connected Inverter Operation Manual

Please read this manual carefully and follow all safety precautions seriously before any moving, installation, operation and maintenance to ensure correct use and high performance of operation on ...

Grid-connected photovoltaic inverters: Grid codes, topologies and

The latest and most innovative inverter topologies that help to enhance power quality are compared. Modern control approaches are evaluated in terms of robustness, flexibility, accuracy, and ...



Application scenarios of energy storage battery products



Grid-connected PV Inverter

Make sure they are reliably connected, and the current sensor should clamp to the live wire of the incoming line. In order to make it easier of the AC switch is determined according to the load capacity.

LEDVANCE USER MANUAL GRID-

CONNECTED PV ...

This application is that when the string inverters work in parallel, there is only one power grid and one load, and only one meter can be connected to prevent reverse current, so only this many-to-one anti ...



Deye Official Store

10 years
warranty

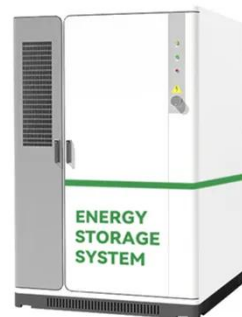


User Manual for SUN Grid-Connected Inverters

This document provides instructions for installing and operating a grid-connected PV inverter system. It includes: 1. An overview of the inverter models covered and parts included. 2. Safety warnings and ...

Grid-connected PV Inverter

There down and are four Achieving below functions by the four buttons: decrease buttons button(DOWN), on the inverter panel: Above is ESC button(is Up), Right increase is Enter ...



3-Phase PV Grid-Connected Inverter

need to check inverter parameters. The inverter must only be ins. alled by professional technicians. The professional technician is required . o

Support Customized Product



meet the following requirements: Know electronic, electrical ...

Grid-connected PV Inverter

This application is that when the string inverters work in parallel, there is only one power grid and one load, and only one meter can be connected to prevent reverse current, so only this ...



Contact Us

For catalog requests, pricing, or partnerships, please visit:
<https://www.espay.es>

