

Espay Solar Energy S.L.

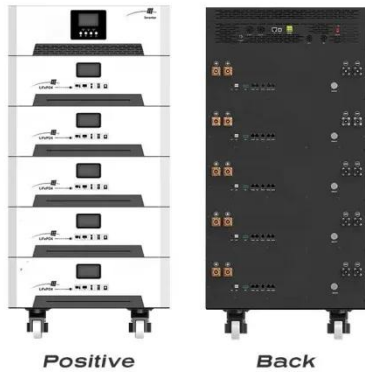
China distribution switchgear in indonesia



Overview

China leads Indonesia's switchgear imports (60-70%) with cost-competitive LV/MV products. Driven by power demand growth and infrastructure. Chinese switchgear accounts for approximately 60%-70% of Indonesia's import market (2023 industry estimates), solidifying its position as the top supplier. This significantly exceeds competitors from Japan (15%-20%), South Korea (<10%), and European manufacturers (Siemens, ABB, which dominate the. Ega Tekelindo Prima is a prominent manufacturer of high-quality low and medium voltage electrical switchboards, providing advanced technology and integrated solutions that comply with international standards. Each product category is developed with a strong focus on system performance, operational safety, and long-term reliability, meeting the. Established in 2015, Powertek is dedicated to upholding global standards and promoting sustainability in Indonesia's switchgear industry. Specializing in designing, manufacturing, and delivering high-quality electrical switchgear panels for Medium Voltage (MV), Low Voltage (LV-MCC, LV-PCC). They offer high-voltage switchgear such as air-insulated switchgear, gas-insulated switchgear, metal-clad panels, and support for large scale infrastructure like integrated energy storage systems. PT Siemens Indonesia With roots in. Select the language you want to use. You can update the settings at any time. Find a list of Suppliers, Manufacturers, Importers, Distributors, and Stores of Electrical Switchgear for Indonesia region.

China distribution switchgear in Indonesia

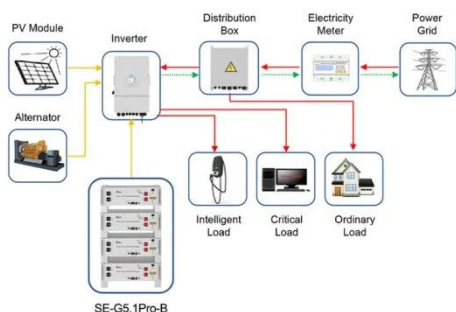


Indonesia High Voltage Commercial Switchgear Market Size and ...

Increasing construction of commercial complexes, data centers, and large-scale infrastructure is accelerating switchgear deployment across Indonesia. Growing emphasis on ...

Indonesia Complete Switchgear Project_YIFA ELECTRIC CO.,LTD

YIFA successfully won the Indonesian complete switchgear project. The equipment adopts modular design, has passed the IEC 62271 international certification, and is equipped with a remote diagnosis ...



Application scenarios of energy storage battery products

Top 39 Switchgear Manufacturers in Indonesia (2026) , ensun

The Switchgear industry in Indonesia presents several key considerations for potential stakeholders. Understanding the regulatory environment is crucial, as the government emphasizes compliance with ...

Indonesia Electrical Switchgear

Suppliers and Manufacturers

Find a list of Suppliers, Manufacturers, Importers, Distributors, and Stores of Electrical Switchgear for Indonesia region. Updated daily, with competitive prices and reliable service.



Indonesia Switchgear Market , Grow At 12.6% CAGR Till 2230

The Indonesia switchgear market is driven by the growing demand for electricity, increasing investments in industrial and commercial sectors, as well as the digitization of the power grid.

Top 10 High Voltage Switchgear Manufacturers in Jakarta 2025, ...

Since 1993, this company in Jakarta has been manufacturing and distributing electrical equipment including switchgear, building a strong experience base in the Indonesian market. Their ...



The market share of Chinese switchgear exported to Indonesia

Key Segments: Chinese manufacturers lead in medium and low-voltage switchgear (<40.5kV) due to cost competitiveness. High-voltage products

(72.5kV+) remain dominated by ...



Contact Us

For catalog requests, pricing, or partnerships, please visit:
<https://www.espay.es>

