

**Espay Solar Energy S.L.**

# **Cyprus Energy Storage Battery BESS**



## Cyprus Energy Storage Battery BESS

---



### Cyprus regulator approves TSO-owned battery storage

Cyprus's electricity regulator has approved plans to install 400MWh of battery energy storage system (BESS) projects in the Mediterranean island country. Cyprus Energy Regulatory ...

---

### Cyprus Approves Big Battery Energy Storage System Project

Pressured by curtailments of renewable electricity and frequent outages amid a lack of flexibility, Cyprus is in a rush to install battery energy storage systems (BESS, said Balkan Green ...

### High Voltage Solar Battery



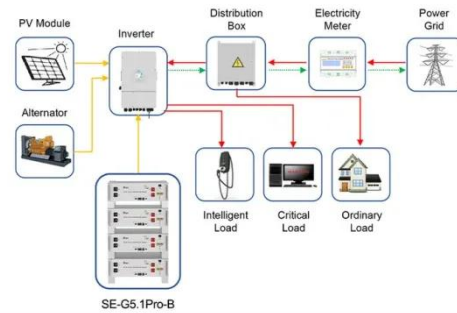
### Cyprus switches on first significant battery system

The Apollon PV Park has commissioned a 3.3 MWh battery energy storage system (BESS) and solar project, in a milestone for Cyprus.

---

### Cyprus Launches First Major Battery Energy Storage System

Cyprus has commissioned its first major battery energy storage system (BESS). Discover the 50 MW project's partners, technical details, and impact on grid stability and renewables.



Application scenarios of energy storage battery products



### Cyprus switches on its first significant battery system, a milestone

Cyprus has taken a step toward modernising its energy infrastructure with the commissioning of a 3.3 MWh battery energy storage system (BESS) as part of the Apollon PV Park. ...

### Battery Energy Storage System in Cyprus 2025 - What You Must ...

A commercial battery energy storage system in Cyprus can store solar energy, reduce grid reliance, support net billing, and even protect against blackouts. In this comprehensive guide, we ...



### Cyprus switches on first significant battery system - pv magazine

Cyprus has recently inaugurated its first significant battery energy storage system (BESS), marking a pivotal step in

enhancing the integration of renewable energy sources into the ...



---

## Cyprus Launches EUR45M Hydrogen-Integrated Energy Storage ...

The Electricity Authority of Cyprus has announced a new tender titled "033/2025 EPC Contract for Utility Scale Battery Energy Storage System (BESS)" with a publication date of January ...



---

## Energy Storage in Cyprus: How Battery Systems Are Shaping the ...

In recent years, driven by the EU carbon neutrality roadmap, Cyprus has accelerated the deployment of solar and wind power. However, the intermittency of renewables has placed ...

---

## Cyprus TSO favored in national battery storage tender

The government said the three battery energy storage systems are planned to be commissioned by June. EAC's two power stations are also planned to be

equipped with BESS units, ...



---

## Contact Us

For catalog requests, pricing, or partnerships, please visit:  
<https://www.espay.es>

