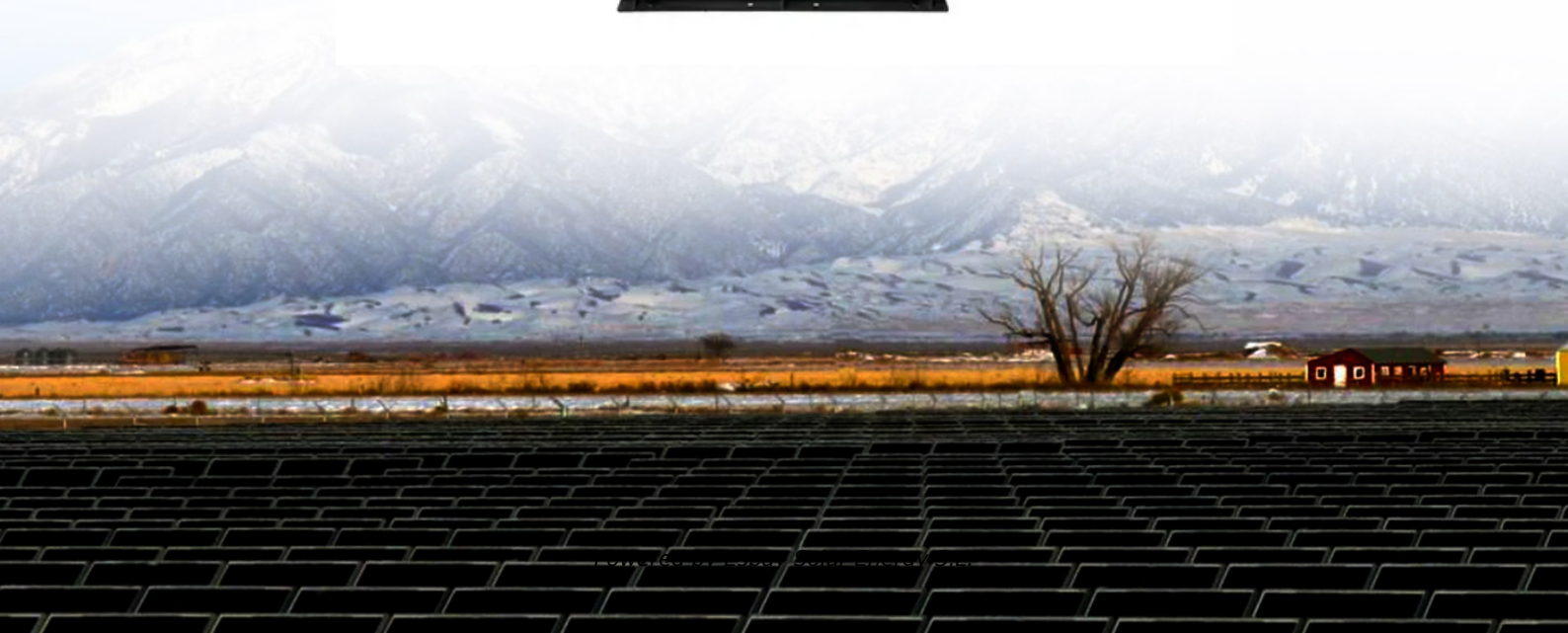


Espay Solar Energy S.L.

Data Center Rack 100kW Discount



Data Center Rack 100kW Discount

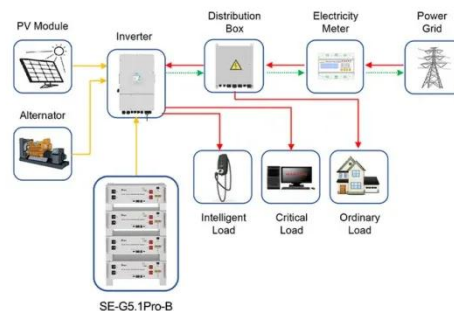


High-Density Racks: The Future of Colocation Data ...

Learn how colocation data centers are adapting to 100+ kW rack densities with advanced cooling and power solutions for AI and HPC.

100+ kW per rack in data centers: The evolution and

The surge in power density to 100+ kW per rack in data centers is both an evolution and a revolution in the industry, signifying a shift in how we approach computing infrastructure, power ...



Application scenarios of energy storage battery products



High Density Racks (>100Kw) Market Share 2025 to 2035

Increasing adoption of immersion cooling and liquid cooled servers have positive implications for power efficiency in smaller footprint urban data centers, enabling data centers to ...

Adaptive Power Systems for the

100kw-Rack AI Data Center

The explosion of AI workloads is redrawing the data center blueprint in real time. Models are larger, compute clusters are denser, and the pressure to deliver consistent performance is ...



kW per Rack Explained: Optimize Your Data Center

Learn how kW per rack impacts colocation pricing, energy efficiency, and performance. Discover best practices to manage power, reduce costs, and future-proof your IT infrastructure.

High-Density Racks: 100kW+ Designs for AI Data Center Infrastructure

The surge to 100kW+ per rack represents both evolution and revolution in data center infrastructure.⁶ Traditional racks designed for 5-10kW loads cannot safely support modern GPU server power ...



Server Racks, Data Center Cabinets & Power Units , Chatsworth

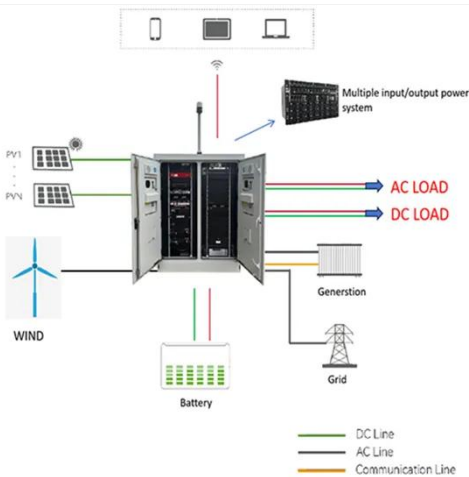
Explore high-performance server racks,

data center cabinets, and power distribution solutions from CPI. Optimize space, cooling and uptime today.



Building 100kW+ GPU Racks , Introl Blog

Traditional data centers distribute 208V three-phase power through 30-amp circuits, delivering roughly 10kW per rack after derating. A 100kW rack would require ten separate circuits, ...



Data Center Rack Power Costs: A Condensed Analysis , Nlyte

While a standard rack uses 7-10 kW, an AI-capable rack can demand 30 kW to over 100 kW, with an average of 60 kW+ in dedicated AI facilities. This article provides a condensed analysis ...

Contact Us

For catalog requests, pricing, or partnerships, please visit:
<https://www.espay.es>

