

**Espay Solar Energy S.L.**

# **Does energy storage include the solar industry**



## Does energy storage include the solar industry

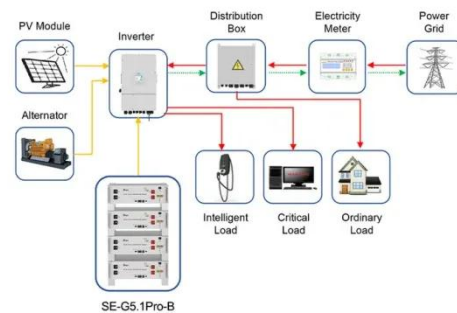


### The U.S. Energy Storage Market: Why and Where it is Growing--and ...

When battery storage is paired with solar PV (known as solar-plus-storage), batteries can utilize solar energy whether or not the sun is shining. Solar-plus-storage can extend the value of ...

### Renewable Energy Storage: Complete Guide to Technologies, ...

This comprehensive guide will explore the complete spectrum of renewable energy storage technologies, from established solutions like pumped hydroelectric storage to cutting-edge ...



Application scenarios of energy storage battery products



### What's Next for the Solar Energy Storage Industry?

Alongside EV batteries, the company produces large-scale, stationary energy storage systems designed to support renewable energy integration, power grid stability, power transmission ...

### The U.S. Energy Storage Market:

## Why and Where it is ...

When battery storage is paired with solar PV (known as solar-plus ...



## What Is Solar Energy Storage? A Comprehensive Overview

Advancements in solar energy storage, especially in battery technology and energy efficiency, are set to transform how we use renewable energy. Innovations like lithium-ion and solid ...

## What Does the Energy Storage Business Include? Key Insights and ...

Ever wondered how your solar panels keep the lights on at night or why electric cars don't conk out mid-road trip? The answer lies in the energy storage business--a dynamic industry ...



## Solar-Plus-Storage Analysis , Solar Market Research & Analysis , NLR

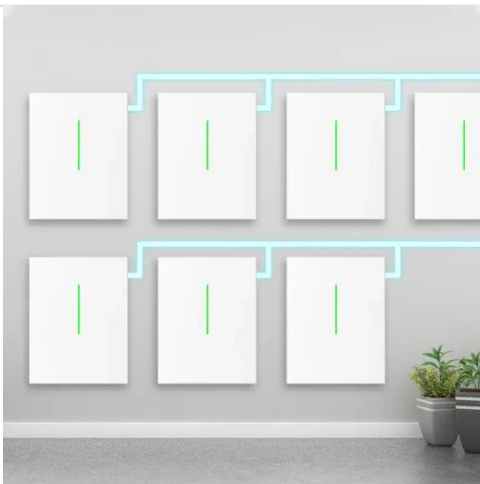
Solar-plus-storage shifts some of the solar system's output to evening and night hours and provides other grid

benefits. NLR employs a variety of analysis approaches to understand the ...



### **What sectors does energy storage include? , NenPower**

The integration of home energy storage systems with solar panels facilitates greater energy self-consumption, enabling households to utilize solar energy even when production dips.



### **Solar Integration: Solar Energy and Storage Basics**

Sometimes energy storage is co-located with, or placed next to, a solar energy system, and sometimes the storage system stands alone, but in either configuration, it can help more effectively integrate ...

### **Solar, battery storage to lead new U.S. generating capacity additions**

This growth highlights the importance of battery storage when used with renewable energy, helping to balance

supply and demand and improve grid stability. Energy storage systems ...



## SEIA's Vision for American Energy Storage - SEIA

Energy storage also plays a key role in enhancing and supporting solar as it is rapidly adopted by consumers and utilities.

## Contact Us

For catalog requests, pricing, or partnerships, please visit:  
<https://www.espay.es>

