

Espay Solar Energy S.L.

Does the solar container battery cabinet need a separate room



Overview

It is strongly recommended to install the battery in a separate fire compartment, such as a detached garage or a separate room with fire resistance class EI 60. The following rules are based on LBK Section 5. It also requires that each battery room or battery enclosure be accessible only to authorized personnel. Article 320 defines authorized personnel as the person in charge of the premises, or other persons appointed or selected by the person in charge of the premises who perform certain duties. Is the container serving a second purpose, or just used to put a lot of space between systems?

Are you somewhere with serious cold-weather concerns?

Lot's of "oh, just insulate it" out there without numbers.) between a cell container and any wall or structure on the side not requiring access for maintenance. Drainage: The room should have a floor drain to prevent water damage in case of a fire. But with so many options out there, how do you choose the right one?

In this guide, we'll.

Does the solar container battery cabinet need a separate room

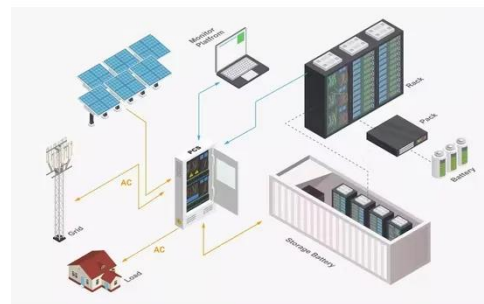


Battery Enclosure Room Dimensions

It's important to have enough space for batteries to work well and stay safe. Outlined below are the minimum enclosure room sizes you need for up to six SolarEdge Home Battery Backups and six Tesla ...

Solar Battery Enclosures: How to Choose the Right One for Safety

Whether you're using lithium-ion or lead-acid batteries, the right enclosure does more than just hold your system together--it protects it from weather, overheating, unauthorized access, and even fire risks. But ...

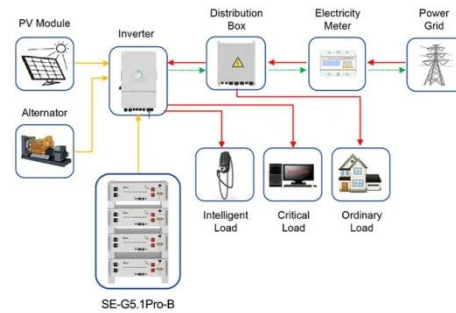


Solar Battery Installation Guide for Residential Projects: Finding the

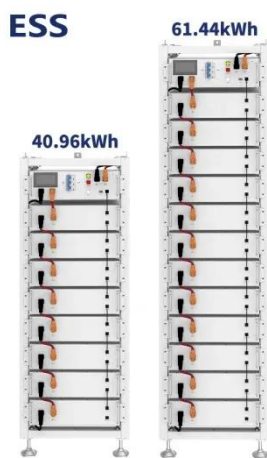
In short, correct solar battery placement isn't just good engineering--it's critical risk control and lifecycle planning. Before choosing a specific location for solar battery installation, it's essential to evaluate a ...

Batteries and Fire (Part 3 - Placement of Energy Storage Systems)

It is strongly recommended to install the battery in a separate fire compartment, such as a detached garage or a separate room with fire resistance class EI 60.



Application scenarios of energy storage battery products



Where to keep solar batteries?

For this reason, ensure you store the battery in a sealed battery box and a well-ventilated room. If you are placing the battery outside, ensure it is properly insulated to prevent moisture from corroding the ...

2018 International Solar Energy Provisions (ISEP)

Working space shall be measured from the edge of the battery cabinet, racks, or trays. For battery racks, there shall be a minimum clearance of 25 mm (1 in.) between a cell container and any wall or structure on the side ...



-  Efficient Higher Revenue
 - Max. Efficiency 97.5%
 - Max. PV Input Voltage 600V
 - 150% Peak Output Power
 - 2 MPPT Trackers, 150% DC Input Oversizing
 - Max. PV Input Current 15A, Compatible with High Power Modules
-  Intelligent Simple O&M
 - IP66 Protection Degree: support outdoor installation
 - Smart I-V Curve Diagnosis Function: locate PV string faults accurately and automatically detect faults
 - DC & AC Type II SPD: prevent lightning damage
 - Battery Reverse Connection Protection
-  Flexible Abundant Configuration
 - Plug & Play, EPS Switching Under 10ms
 - Compatible with Lead-acid and Lithium Batteries
 - Max. 6 units Inverters Parallel
 - AFCI Function (Optional): when an arc fault is detected the inverter immediately stops operation

NFPA 70E Battery and Battery Room Requirements , NFPA

It does not need to. The employer is responsible for determining what is specifically necessary to protect an

employee from the specific hazards they will be exposed to while conducting the specific task ...



Step-by-Step Solar Battery Cabinet Installation Guide

Energy storage units are essentially advanced battery systems housed within standard containers. These units encompass battery modules, inverters, control systems, and associated cooling and safety ...



Battery Room Ventilation and Safety

When more than one battery type (chemistry) is employed, each type of battery shall be located in a separate room with each room individually meeting the occupancy separation requirements and with no direct access ...

Where do you keep your batteries / inverters? Outbuilding vs

Just by luck, I got a insulated "refer"

container as my current one and it keeps a constant temp inside, so I don't worry about it. I build a wall in one end and make a room for the inverters and batteries, and ...



Contact Us

For catalog requests, pricing, or partnerships, please visit:
<https://www.espay.es>

