

**Espay Solar Energy S.L.**

# **Dual-axis tracking photovoltaic bracket factory**



## Overview

---

This article highlights top dual axis tracking kits and controllers, explaining how they work, what to consider when buying, and how to compare options for yards, farms, and off-grid setups. A solar tracker is a device that positions a reflector, PV panel (photovoltaic panel)/solar panel, or a solar collector at an optimal angle relative to the sun to receive most of the solar radiation. For example, keeping the solar panel perpendicular to the sun results in more sunlight striking the. Jucai Huixin undertakes various Dual Axis Solar Tracking System projects, customizes various tracking solar bracket, and solar accessories. It can boost solar power system production by continuously optimizing the tracking algorithm of each individual row in response to site features and changing. Strackers are engineered to the extreme.

## Dual-axis tracking photovoltaic bracket factory

---

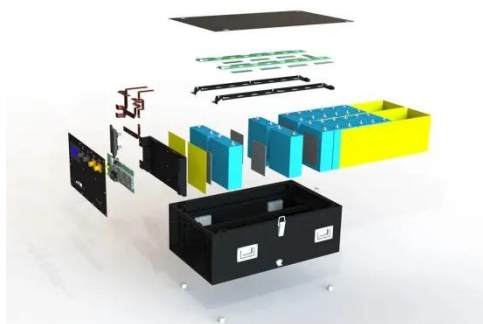


### Dual Axis Tracking Photovoltaic Bracket-Suzhou Lunan Fastener ...

The unique ground tracking bracket form can ensure the safety and stability of the bracket structure, effectively reduce engineering installation time and labor costs, lower installation costs, and have ...

### Best Dual Axis Tracking Solar Panels for Maximum Sunlight

It combines a dual-axis drive with precise sensors to achieve 270° sun tracking, maximizing daylight capture. A wind-based leveling function helps it cope with strong winds, and ...



### Dual-Axis Photovoltaic Tracking Brackets

Dual-Axis Photovoltaic Tracking Brackets Home Project Details Dual-Axis Photovoltaic Tracking Brackets At Xinergyu, we deliver advanced solar module technology that meets the demands of ...

### sun axis solar tracker bracket

## Factory Wholesale Photovoltaic Racking

This type of tracking bracket system, there are two rotating axes at the same time movement, which can ensure that the solar cell plate is always perpendicular to the sun's rays, so dual-axis tracking to ...



## Factory Solar Power Bracket Dual Axis Tracking System

With advanced equipment, excellent production technology, strict process standards, and meticulous logistics management, we can efficiently produce high quality, high pass rate of PV brackets products.

## Top 10 Global Solar PV Tracker Companies (2025)

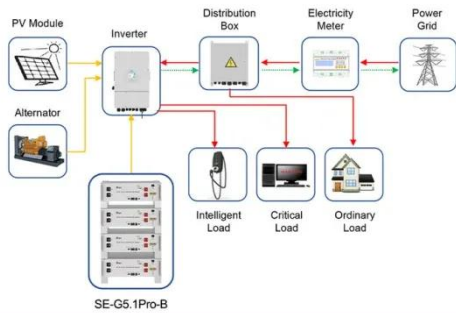
Solar PV tracker companies provide a broad range of solar PV trackers, including single-axis and dual-axis trackers for residential, commercial, and industrial applications.



## Dual Axis Solar Tracking System Supplier & Manufacturer

We can accept customized solar tracking bracket solutions from customers, providing full chain services from blank

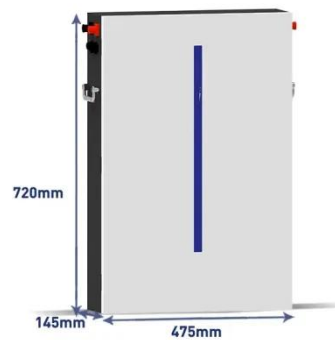
projects to installation completion. We can provide free CAD drawings and load data ...



Application scenarios of energy storage battery products

## Stracker Solar

Stracker Solar generates more power per square foot than any other solar installation with elevated dual-axis solar trackers that follow the sun like a sunflower.



## Photovoltaic tracking bracket

Single-axis tracking brackets include flat single-axis tracking brackets and oblique single-axis tracking brackets, which can be rotated in directions. The dual-axis tracking bracket can rotate the direction ...

## Top 10 Global Solar PV Tracker Companies (2025)

We can accept customized solar tracking bracket solutions from customers, providing full chain services from blank projects to installation completion. We ...



## Dual Axis Solar Tracker system

The support part of the dual-axis tracking system is composed of the main pillar, the rotating support and the steel structure bracket, the connecting part is composed of aluminum profiles and bolts, and the ...

## Contact Us

For catalog requests, pricing, or partnerships, please visit:  
<https://www.espay.es>

