

Espay Solar Energy S.L.

Energy storage battery container multiple



Overview

This guide will provide in-depth insights into containerized BESS, exploring their components, benefits, applications, and implementation strategies. It enables organisations to store and deploy energy at the scale required for modern energy infrastructure, from renewable energy parks to industrial sites and grid-related projects. In this article, we'll explore how a containerized battery energy storage system works, its. In this rapidly evolving landscape, Battery Energy Storage Systems (BESS) have emerged as a pivotal technology, offering a reliable solution for storing energy and ensuring its availability when needed. Advanced BMS, such as EVESCO's, monitor cells, modules, strings, and the entire system in real time, using.

Energy storage battery container multiple



Battery Energy Storage Containers: Key Technologies and TLS's ...

In this blog, we will explore the key technologies behind battery energy storage containers and analyze the leading advantages of TLS's battery storage containers.

Energy Storage Container & BESS Container Manufacturer , Wenergy

Leveraging 15 years of expertise in battery cell R& D and manufacturing, Wenergy delivers containerized BESS with fully integrated cells, modules, power conversion, thermal management, and safety ...



Guide to Containerized Battery Storage: Fundamentals, Applications

Containerized Battery Storage (CBS) is a modern solution that encapsulates battery systems within a shipping container-like structure, offering a modular, mobile, and scalable approach to energy ...

How a Containerized Battery Energy Storage System Can Improve ...

In this article, we'll explore how a containerized battery energy storage system works, its key benefits, and how it is changing the energy landscape--especially when integrated into large ...



Battery Containers for Large-Scale Energy Storage

A battery container is a robust and scalable solution for large-scale energy storage. It enables organisations to store and deploy energy at the scale required for modern energy infrastructure, from ...

Containerized energy storage , Microgreen.ca

Microgreen offers large-scale energy storage that is reliable in harsh environments, cost effective with top energy density, and provides best return on investment.

 TAX FREE






ENERGY STORAGE SYSTEM

Product Model
HJ-ESS-215A(100KW/215KWh)
HJ-ESS-115A(50KW 115KWh)

Dimensions
1600*1280*2200mm
1600*1200*2000mm

Rated Battery Capacity
215KWH/115KWH

Battery Cooling Method
Air Cooled/Liquid Cooled



Battery Energy Storage System Components

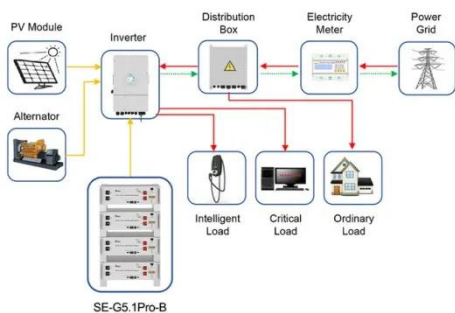
Explore the key components of a battery energy storage system and how each part contributes to performance,

reliability, and efficiency.



Battery energy storage systems , BESS

Access detailed insights and technical information about Siemens Energy Qstor(TM) Battery Energy Storage Systems. From hybrid BESS to power plant storage, our downloadable resources give you ...



Application scenarios of energy storage battery products

Energy Storage Containers and Modular Battery Units - BESS

Dorce's modular BESS solutions are widely used to ensure energy continuity, stability, and quality across multiple sectors: Balancing and storing intermittent solar and wind energy generation. ...

Containerized Battery Energy Storage System (BESS): 2024 Guide

Discover the benefits and features of Containerized Battery Energy Storage

Systems (BESS). Learn how these solutions provide efficient, scalable energy storage for various applications.



51.2V 300AH

Contact Us

For catalog requests, pricing, or partnerships, please visit:
<https://www.espay.es>

