

**Espay Solar Energy S.L.**

# **European Industrial Cabinet 380V**



## European Industrial Cabinet 380V



### GGD Low Voltage Distribution Cabinet , 380V AC Switchgear , Fulleto

Our GGD cabinets are designed with meticulous attention to detail using advanced CAD systems. This ensures precise component fitting, optimized internal space, and ease of integration into your ...

### Electric Cabinets , EUROSOFT

For more than 20 years now, we've been producing reliable low voltage control and power electric cabinets for customers in various industries like automotive, metallic, plastics, transportation, ...

### Commercial and Industrial ESS

Air Cooling / Liquid Cooling

- Budget Friendly Solution
- Renewable Energy Integration
- Modular Design for Flexible Expansion



### Support Customized Product



### XL-21 Power Distribution Cabinet , 380V Low Voltage Panel , IP30

With a 380V rated voltage and 4A-40A main bus current range, it's ideal for power distribution and lighting control in commercial/industrial settings. Key features include: 660V insulation voltage, 50Hz ...

## SOETECK Utility Power Distribution Cabinet

The SOETECK Utility Power Distribution Cabinet designed for power systems up to 4000A and voltage levels of 380V (400V) to 600V provides a robust solution for industries such as power generation, ...



## GGD Type Low Voltage Fixed Switchgear , Reliable 380V Power

The GGD Type AC Low Voltage Fixed Switchgear is used in power users such as power plants, substations, and industrial enterprises for AC systems operating at 50Hz, with a rated working ...

## 380V Standard Low Voltage Switchgear , GGD Cabinet , HCRT

It is widely used in power plants, substations, industrial facilities, and commercial buildings. Built with robust cold-formed steel and engineered for ventilation and modularity, the GGD cabinet offers ...



## 380V Electrical Cabinet

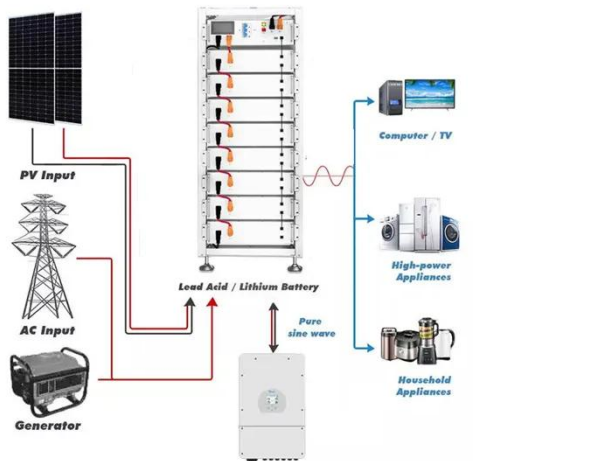
Comprehensive Voltage Compatibility:  
This industrial power supply cabinet



supports multiple voltage ranges, including 220V, 380V, 400V, 415V, and 500V, ensuring seamless integration with various ...

### **GGD Low Voltage Distribution Cabinet 380V 3150A Mingri Electric**

The GGD cabinet is widely used in power generation, industrial plants, and infrastructure projects. Its high reliability, easy maintenance, and flexible configuration make it suitable for both ...



### **Low Voltage Switchgear**

With a rated current at AC 50Hz and a rated voltage of 380v, it's designed for power conversion and control of power, lighting, and distribution systems. This product stands out with its strong breaking ...

### **What are the differences between 380VAC, 400VAC and 415VAC ...**

If a product is to be used in mainland Europe or Irish Republic a 380V AC rated device is ideal, but either 380V AC or

400V AC products can be used with confidence.



---

## Contact Us

For catalog requests, pricing, or partnerships, please visit:  
<https://www.espay.es>

