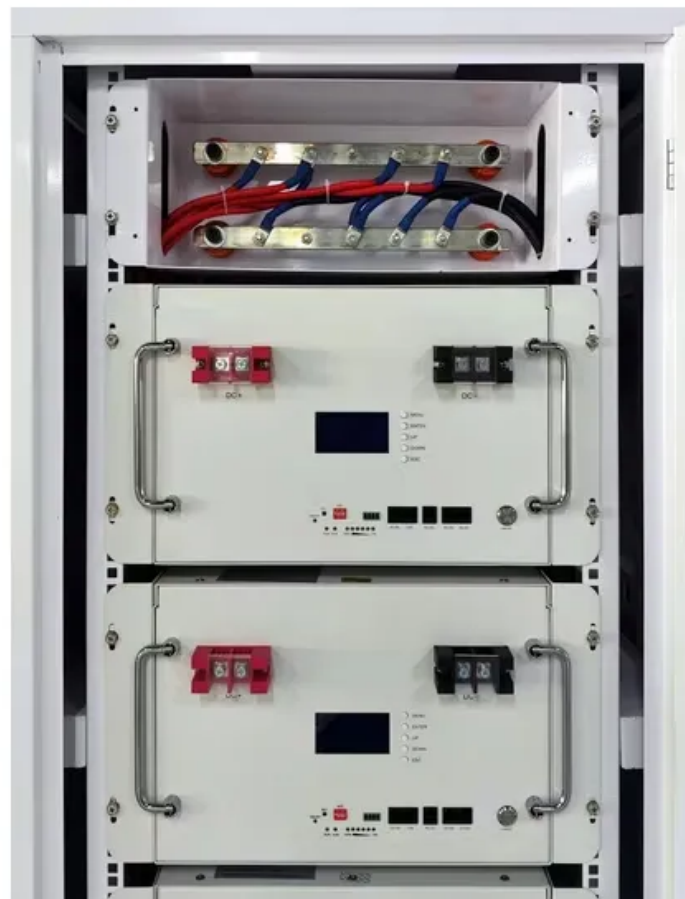


Espay Solar Energy S.L.

European photovoltaic container 80kWh



European photovoltaic container 80kWh

LiFePO₄ Battery, safety

Wide temperature: -20~55°C

Modular design, easy to expand

The heating function is optional

Intelligent BMS

Cycle Life: > 6000

Warranty: 10 years



ALUMERO systems -- solarfold

The innovative and mobile solar container contains 200 photovoltaic modules with a maximum nominal output of 134 kWp and, thanks to the lightweight and environmentally friendly aluminum rail system, ...

Vienna Photovoltaic Folding Container 80kWh

Vienna Photovoltaic Folding Container 80kWh ntainers revolutionize power accessibility. Unlike fixed sola systems, they offer unparalleled mobility. Traditional mobile stations, solarcont has developed a ...



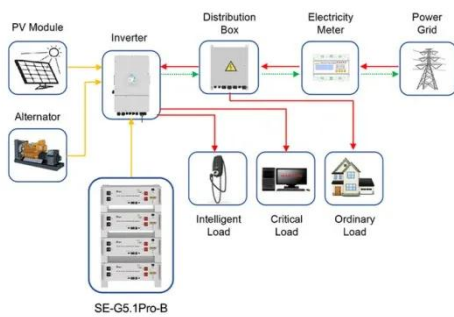
Buy PV module containers

Standardized sizes and flexible interior layouts make it easy to transport different module types - perfect for manufacturers, sellers and your solar project across Europe. Discover high-quality container ...

Large-scale storage solutions , SMA

Solar

Large-scale storage solutions from SMA for a stable, flexible and efficient energy supply. Der Sunny Central Storage Batterie-Wechselrichter erfüllt alle Netzanforderungen weltweit und ist auch in einer ...



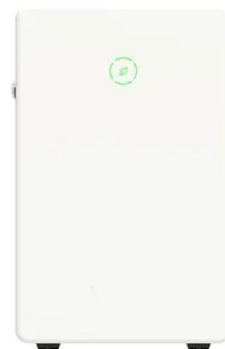
Application scenarios of energy storage battery products

15KW & 80KWH PV Energy Storage Refrigerator Box , Solar Cold ...

This product is a cold chain container designed for preserving, freezing, or refrigerating vegetables, fruits, fisheries, and other industrial bases. It is solar-powered, equipped with a lithium battery ...

Future Prospects for Photovoltaic Container Growth

Discover the booming photovoltaic container market! This comprehensive analysis reveals key trends, market size projections (2025-2033), leading companies, and regional growth ...



80KWH ENERGY STORAGE SYSTEM ESS SOLAR BATTERY ...

Serving residential, commercial, industrial, and government clients across European markets with advanced

photovoltaic and energy storage solutions.



80kWh photovoltaic container used at port terminals in the China ...

Compared with traditional terminals, the "zero-carbon" terminal is powered by wind and photovoltaic energy, achieving zero-carbon emission in energy consumption and



Photovoltaic folding container 80kWh compared to traditional ...

The outer surface of the container is equipped with foldable photovoltaic panels, which can be folded up when not in use to reduce volume and weight for easy transportation and storage.



EU Solar Energy Storage Container 80kWh , EQACC SOLAR

Fong Power Technology delivers 15KW and 80KWH PV energy storage refrigerator boxes, offering custom-built and factory-direct solar cold chain

containers for efficient food, medical,

APPLICATION SCENARIOS



Contact Us

For catalog requests, pricing, or partnerships, please visit:
<https://www.espay.es>

