

Espay Solar Energy S.L.

Four tool batteries connected in series

ESS



Four tool batteries connected in series



Can You Hook Battery Packs In Series? Safety Tips And Wiring Battery

You can connect battery packs in series if they have the same voltage and the same capacity rating. For example, you can connect two 6V 10Ah batteries.

Safety Tips for Connecting Batteries in Series and Parallel

To safely connect batteries in series or parallel, you need specific tools and materials. These include insulated wires, a multimeter for voltage checks, and a reliable Battery Management ...



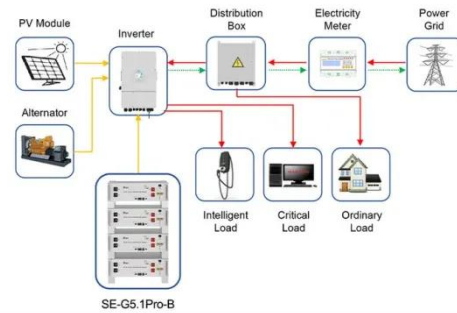
Connecting batteries in series - BatteryGuy Knowledge Base

There are two ways to wire batteries together, parallel and series. The illustrations below show how these set wiring variations can produce different voltage and amp hour outputs. In the ...



Simple Ways to Connect Batteries in a Series: 12 Steps

Connecting batteries together is an easy way to increase the power to your motor or electrical device. You can power your application without the heavy weight and size of a larger ...



Application scenarios of energy storage battery products



Connect Batteries in Series: Benefits and Step-by-Step Guide

Learn how to connect batteries in a series to maximize voltage output for your project. This step-by-step guide covers everything from battery connections to safety tips.

How to Connect 4 Batteries in Series

Learn how to connect 4 batteries in series for optimal power output and efficiency with our easy-to-follow step-by-step guide.



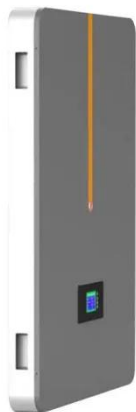
How To Connect Batteries In Series and Parallel

Learn how to configure batteries in series, parallel, or series and parallel. Complete battery configuration guide for increased power at BatteryStuff !



Complete Guide to Wiring Batteries in Series - PowMr

How to wire 12V batteries in series? This guide explains voltage, amp-hours, precautions, pros& cons, and steps for reliable series battery connections.



How to Wire Batteries in Series (Steps, Safety Tips, Solutions)

Ensure all your batteries have consistent voltage and capacity. Organize your batteries neatly on an insulating surface. Connect one battery's positive terminal to the next's negative ...

Battery University , BU-302: Series and Parallel Battery...

Portable equipment needing higher voltages use battery packs with two or more cells connected in series. Figure 2 shows a battery pack with four 3.6V Li-

ion cells in series, also known ...



Contact Us

For catalog requests, pricing, or partnerships, please visit:
<https://www.espay.es>

