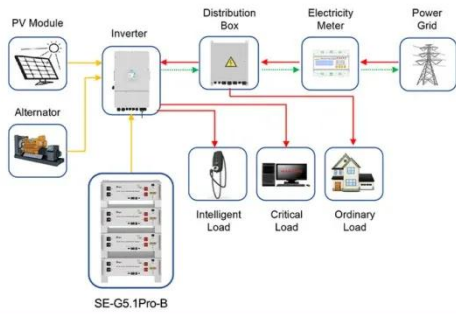


Espay Solar Energy S.L.

Full-Scenario Solar Storage Inverter



Full-Scenario Solar Storage Inverter



Application scenarios of energy storage battery products

Noise, Space, and Safety , HYXiPOWER Launches Three New ...

[June 2025, Shanghai] 18th SNEC PV+ Expo was grandly held in Shanghai. HYXiPOWER made a strong impression with the debut of three core new products and a full-scenario solar + storage ...

Chint Power's All-Scenario Solutions Shined at SNEC PV+ 2025!

Chint Power's All-Scenario Solutions Shined at SNEC PV+ 2025! CHINT POWER The Chint Power 350kW string inverter integrates 6 MPPTs with a maximum current of 80A per MPPT, making it ...



SigenStack: Sigenergy's Cutting-Edge Energy Storage Solution ...

SigenStor is the world's first 5-in-1 energy storage system, integrating a solar inverter, PCS, EMS, EVDC charging module, and battery pack. It is compatible with both residential and ...

SNEC 2025: AI meets All-in-One PV

& ESS

Through a Four-in-One system of solar-storage synergy, price arbitrage, grid frequency regulation, and virtual power plant aggregation, CM2 enables deep transformation toward zero ...



Risen Energy Unveils "Full-Scenario PV-Storage Solutions" at ...

Based on full scenarios, Risen Energy has connected the full chain of "modules + inverters + energy storage + smart energy management systems" with differentiated technological ...

Leading Solar Solutions for a Greener Future , HUAWEI Smart PV ...

HUAWEI FusionSolar advocates green power generation and reduces carbon emissions. It provides smart PV solutions for residential, commercial, industrial, utility scale, energy storage systems, and ...



Sungrow Power Supply Full-Scenario Energy Storage System

Sungrow energy storage system cover all scenarios. Enhances the reliability of



power supply. Sungrow energy storage system solutions are designed for residential, C& I, and PCS, lithium ...

SANDISOLAR Presents Full-Scenario Energy Storage Solutions

Discover SANDISOLAR's full-scenario energy storage solutions, offering integrated power systems for residential, commercial, and industrial applications.

LIQUID COOLING ENERGY STORAGE SYSTEM

EMS real-time monitoring
No container design
flexible site layout



Cycle Life
≥8000

Nominal Energy
200kwh

IP Grade
IP55



Sineng Electric Highlights Full-Scenario PV, Energy Storage and

At WFES 2026, Sineng Electric presented its new 465kW string inverter and 2.4MW MV turnkey station, configurable into 4.8MW and 9.6MW solutions, designed for large-scale solar projects in desert and ...

Hoymiles Unveils Full-Scenario Energy Storage Solutions at SNEC ...

On June 11th, Hoymiles made a striking appearance at the Shanghai exhibition, showcasing its comprehensive range of

energy storage solutions across all scenarios and its latest ...



Contact Us

For catalog requests, pricing, or partnerships, please visit:
<https://www.espay.es>

