

Espay Solar Energy S.L.

Gitega new energy storage power



Gitega new energy storage power



Gitega sunshine energy storage power plant operation

Pumped hydro energy storage (PHES), compressed air energy storage (CAES), and liquid air energy storage (LAES) are three options available for large-scale energy storage systems

Gitega Green Energy Storage System Project: Solving Africa's ...

The Gitega Green Energy Storage System Project tackles this exact pain point with its hybrid battery architecture. You know, it's not just about storing sunshine; it's about making renewables reliable ...



Gitega Grid Energy Storage Testing: Powering Africa's Renewable Energy

In Gitega, the political capital of Burundi, engineers are conducting groundbreaking grid energy storage tests to stabilize power supply across East Africa. Think of these systems as giant rechargeable ...

Gitega Air Energy Storage Project Bidding: Opportunities and

Summary: The Gitega Air Energy Storage Project Bidding represents a critical milestone in Africa's renewable energy transition. This article explores the project's technical framework, market potential, ...



Energy storage projects in gitega

The Gitega Energy Storage Facility: Set to be constructed in Gitega, this grid-scale energy storage facility will help manage peak electricity demand and ensure a stable energy supply for

Gitega Huawei Energy Storage Project: Current Progress & Industry

Summary: The Gitega Huawei energy storage project exemplifies Africa's push toward renewable energy modernization. This article explores its technical milestones, regional energy trends, and how ...



Gitega s largest photovoltaic energy storage project

As the photovoltaic (PV) industry continues to evolve, advancements in

gitega energy storage power station project have become critical to optimizing the utilization of renewable energy

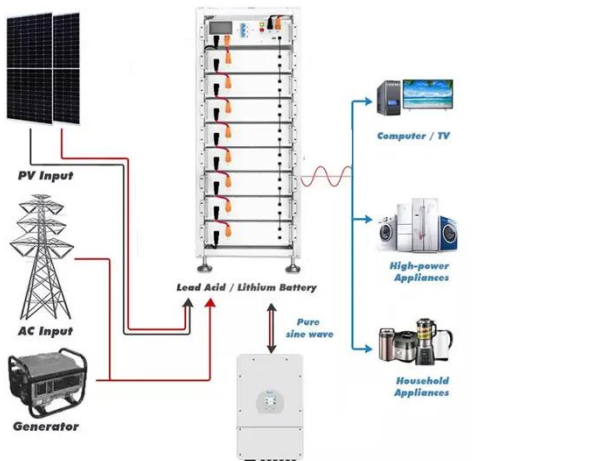


Gitega's New Portable Energy Storage Solutions: Powering the Future ...

Summary: Gitega's latest venture into portable energy storage addresses growing demands for flexible power solutions across industries. This article explores how their innovative technology bridges gaps ...



- ✓ ALL IN ONE
- ✓ 100Kw/174Kwh High Capacity
- ✓ Intelligent Integration



Gitega s latest energy storage project

Compressed-air energy storage is added to the system as flexible energy storage equipment for solutions to the uncertainty of new energy output and to improve the economy of system

Gitega Off-Grid Energy Storage Power Station: Powering Africa's

In Burundi's capital Gitega, where grid coverage barely reaches 15% of

households, the new Gitega Off-Grid Energy Storage Power Station isn't just another infrastructure project. It's a modular battery ...



Contact Us

For catalog requests, pricing, or partnerships, please visit:
<https://www.espay.es>

