

**Espay Solar Energy S.L.**

# **How long can the energy storage battery store energy**



## How long can the energy storage battery store energy

---



 LFP 48V 100Ah

### Understanding Energy Storage Duration

Long-Duration Storage (e.g., Pumped Hydro): More suitable for long-term capacity market contracts due to their ability to store energy for extended periods; they attract higher de-rating ...

---

### How Long Can Solar Batteries Store Energy? 48V Advantages & - ...

The article explores three critical aspects of modern solar energy storage: 1) Duration of solar energy storage (1-5 days depending on capacity/conditions), 2) Technical advantages of 48V ...



### How long does the energy storage battery store electricity?

Effective energy storage relies heavily on comprehending the myriad factors that affect how batteries store electricity. Understanding types of batteries, environmental impacts, charging ...

---

### Battery Storage Explained: How

## Long Does a Solar Battery Last?

Learn all about Battery Energy Storage System (BESS) and how long solar batteries last, and why you should intergrate BESS into solar system.



## How Long Can an Energy Storage System Store Electricity?

How long can an energy storage system store electricity? Learn the differences between lithium-ion and lead-acid batteries, their storage and supply duration, and expert installer tips for optimal use.

## How Long Can Lithium Batteries Store Energy? A Comprehensive ...

How Long Can Lithium Batteries Store Energy? A Comprehensive Guide  
Summary: Lithium batteries typically retain stored energy for 1-3 years under optimal conditions. This article explores their ...



## Expected Lifespan of Battery Storage Systems

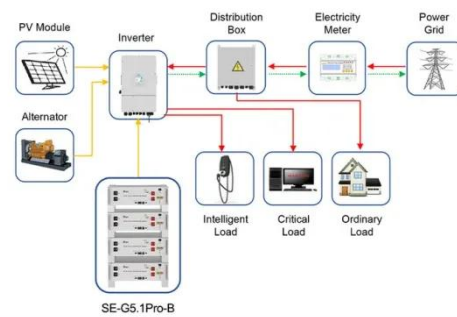
A battery storage system is a technology that stores electrical energy and



releases it as needed. It stores energy through multiple battery units that charge and store energy, then discharge ...

### Solar Storage Lifespan How Long Can Solar Batteries Store Energy

Time is a crucial factor in renewable energy -- not just in when energy is produced, but also in how long it remains available for use. With the rising adoption of solar power around the ...



Application scenarios of energy storage battery products



### How Long Can Batteries Store Solar Energy for Maximum ...

Discover how long batteries can store solar energy in this comprehensive article. Explore the strengths and weaknesses of lithium-ion, lead-acid, and flow batteries, including their lifespan, ...

### How Long Can Energy Be Stored In A Battery-Vilion

The duration of energy storage in a battery depends on various factors, but with the right technology and maintenance practices, energy can be

reliably stored for extended periods.  
AuroraTech's ...



---

## Contact Us

---

For catalog requests, pricing, or partnerships, please visit:  
<https://www.espay.es>

