

Espay Solar Energy S.L.

How much does Paraguay s energy storage power supply cost



Overview

Initial costs for BESS installations in Asunción hover around \$300/kWh. But wait—when you factor in avoided grid upgrades and reduced diesel generator use, payback periods shrink from 10 years to just 4. That's kind of a no-brainer for commercial users. Summary: This article explores Paraguay's ambitious Cerro Port photovoltaic and energy storage initiative, analyzing cost trends, technology options, and market opportunities for 2024. Discover how solar-plus-storage solutions are reshaping South America's renewable energy landscape. Why Paraguay's. Regional energy experts estimate Paraguay loses \$220 million yearly in potential industrial growth due to grid instability. Here's where things get interesting. 2 USD/MWh)between Paraguay and Brazil. This article explores the current costs of energy storage batteries in Paraguay, their applications across industries, and how businesses can. Market Forecast By Technology (Pumped Hydro Storage, Battery Energy Storage, Compressed Air Energy Storage, Flywheel Energy Storage), By Application (Stationary, Transport), By End user (Residential, Non Residential, Utilities) And Competitive Landscape How does 6Wresearch market report help. The cost of lithium-ion batteries per kWh decreased by 14 percent between 2022 and 2023. Lithium-ion battery price was about 139 U.

How much does Paraguay s energy storage power supply cost



Paraguay energy storage discharge prices

The cost of battery energy storage has continued on its trajectory downwards and now stands at US\$150 per megawatt-hour for battery storage with four hours" discharge duration, making it more ...

Paraguay s Special Energy Storage Battery Price Key Factors and ...

Curious about the price of Paraguay"s innovative energy storage solutions? This guide breaks down cost drivers, industry applications, and emerging trends - with actionable insights for businesses and ...



Paraguay's Energy Storage Revolution: Powering Beyond Hydropower

Regional energy experts estimate Paraguay loses \$220 million yearly in potential industrial growth due to grid instability. The solution? Well, it's not building more dams - that ship has sailed. Here's where ...

Energy Storage Battery Cost in Paraguay Trends Applications and ...

This article explores the current costs of energy storage batteries in Paraguay, their applications across industries, and how businesses can optimize investments.

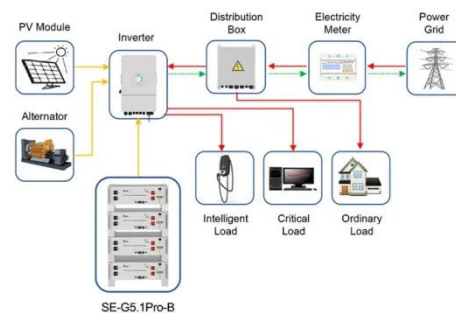


Paraguay Cerro Port 2024 Photovoltaic Energy Storage Quote: Key

Summary: This article explores Paraguay's ambitious Cerro Port photovoltaic and energy storage initiative, analyzing cost trends, technology options, and market opportunities for 2024.

Asunción's Energy Storage Revolution: Solving Paraguay's Power

Initial costs for BESS installations in Asunción hover around \$300/kWh. But wait--when you factor in avoided grid upgrades and reduced diesel generator use, payback periods shrink from 10 years to ...



Application scenarios of energy storage battery products

Paraguay must invest \$5 billion by 2030 to avoid energy crisis



According to estimates from the National Energy Forum, Paraguay will need a total investment of about \$12 billion between 2025 and 2030, and up to \$12.7 billion through 2043.

Paraguay energy storage battery price trend analysis

Battery Energy Storage systems are crucial for managing energy supply and demand, helping to stabilize power grids, enhance renewable energy integration, and provide backup



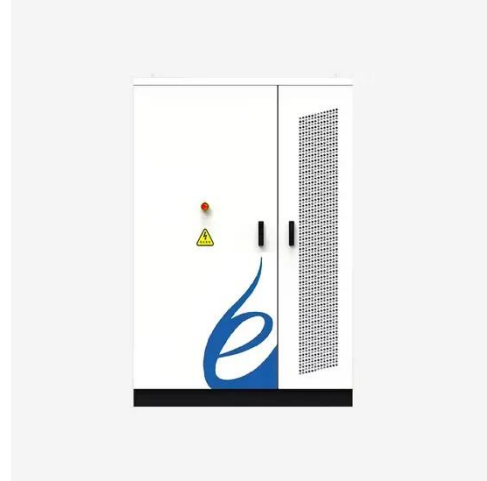
Paraguay Energy Storage System Market (2025-2031) , Trends, ...

6Wresearch actively monitors the Paraguay Energy Storage System Market and publishes its comprehensive annual report, highlighting emerging trends, growth drivers, revenue analysis, and ...

PARAGUAY NATIONAL ENERGY STORAGE

Paraguay's energy supply is mostly used for power generation and for obtaining charcoal and alcohols (bioethanol). During the period 2010-2019, electricity

exports represented an average of 75.2% of ...



Contact Us

For catalog requests, pricing, or partnerships, please visit:
<https://www.espay.es>

