

Espay Solar Energy S.L.

How to get the export certificate for energy storage cabinet



How to get the export certificate for energy storage cabinet

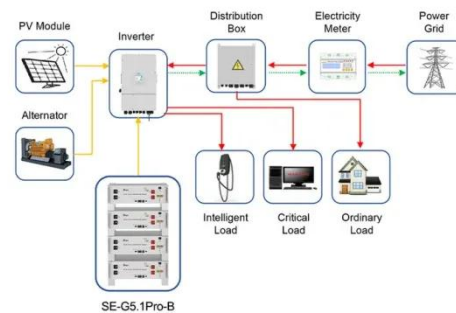


Essential Certifications for Exporting Energy Storage Systems: A ...

The energy storage export market isn't just booming--it's exploding faster than a poorly ventilated battery room. With the global energy storage industry hitting \$33 billion annually [1], getting ...

Battery Energy Storage Cabinet Export Clearance Inspection: Key ...

Global demand for battery energy storage cabinets is surging, driven by renewable energy expansion and industrial electrification. Yet 42% of exporters face delays due to incomplete clearance ...



Application scenarios of energy storage battery products



ENERGY STORAGE CABINET EXPORT CERTIFICATE

The installation of energy storage power stations involves several critical steps, including site selection, engineering design, system configuration, regulatory compliance, and commissioning..

Energy storage cabinet exit:

Sungreen Logistics professional ...

With the rapid development of the global new energy industry, energy storage cabinet as a key equipment, its international market demand continues to rise. As an international dangerous goods ...



Comprehensive Guide to Exporting Energy Storage Cabinets.

Finally, regarding the UN38.3 testing report, you need to prepare the following types: UN38.3 testing report and summary MSDS? Ocean freight appraisal certificate and 1.2-meter drop ...

Required Certifications for Energy Storage Battery Export

The energy storage market is booming globally, and certifications are a key concern for industry professionals. This guide provides an overview of necessary certifications for exporting ...



-  **Efficient Higher Revenue**
 - Max. Efficiency 97.5%
 - Max. PV Input Voltage 600V
 - 150% Peak Output Power
 - 2 MPPT Trackers, 150% DC Input Oversizing
 - Max. PV Input Current 15A, Compatible with High Power Modules
-  **Intelligent Simple O&M**
 - IP65 Protection Degree: support outdoor installation
 - Smart I-V Curve Diagnosis Function: locate PV string faults accurately and automatically detect faults
 - DC & AC Type II SPD: prevent lightning damage
 - Battery Reverse Connection Protection
-  **Flexible Abundant Configuration**
 - Plug & Play, EPS Switching Under 30ms
 - Compatible with Lead-acid and Lithium Batteries
 - Max. 6 Units Inverters Parallel
 - AFCI Function (Optional): when an arc fault is detected the inverter immediately stops operation

How to Navigate Import/Export Certifications for the Best C& I Energy

You know, in this fast-changing world of energy today, the role of import/export certifications is really super



important--especially if you're a business on the hunt for the best C& I ...

Shanghai Tightens Rules for Exporting Energy Storage Cabinets

This article provides a detailed interpretation of the Dangerous Goods Packaging Certificate (Dangerous Goods Certificate) application process and related documents required for ...



EXPORT REQUIREMENTS FOR ENERGY STORAGE CABINET ...

What are the battery energy storage cabinet manufacturers in Bloemfontein Who makes lithium energy storage?IES specialises in manufacturing Lithium Energy storage for residential, C& I and utility scale ...

Essential Export Requirements for Small Energy Storage ...

Thinking about exporting small energy storage systems? Learn the must-know regulations, certifications, and market

trends to avoid costly mistakes. Why Small Energy Storage Equipment Is Gaining Global ...



Contact Us

For catalog requests, pricing, or partnerships, please visit:
<https://www.espay.es>

