

Espay Solar Energy S.L.

IP66 Battery Cabinet 500kWh Distributor

18650 3.7V
Li-ion
RECHARGEABLE BATTERY

2000mAh



IP66 Battery Cabinet 500kWh Distributor



500KWh Intelligent Uninterruptible Energy Storage Cabinet

TS-WB500 is a newly-developed energy storage system based on the long life rare-earth lithium yttrium battery with latest LiFePO4 Battery technology. The improved technology of battery is ...

Lome Ip66 Battery Cabinet 500kw Equipment & Supplies

Easily find, compare & get quotes for the top Lome Ip66 Battery Cabinet 500kw equipment & supplies

50KW modular power converter



Flexible Configuration

- Modular Design, Expanding as Required
- Small&Light, Wall Mounted
- Installed in Parallel for Expansion



Powerful Function

- Support PV+ESS
- Grid Support, Equipped with SVG Technology
- On-Grid and Off-Grid Operation



Reliable Protection

- Outdoor IP65 Design
- Sufficient Protection Functions Equipped



Buy Battery Cabinet Distributor , Premium Industrial Energy ...

Where to Find Battery Cabinet Distributors? China remains the central hub for battery cabinet manufacturing and distribution, with key suppliers concentrated in Shandong, Guangdong, and ...

Stainless Steel Power Distribution

Cabinet IP66 Metal Box/Cabinet ...

Stainless Steel Power Distribution Cabinet IP66 Metal Box/Cabinet for Battery, Find Details and Price about Metal Cabinet Distribution Cabinet from Stainless Steel Power Distribution ...



Hoenergy Power

Explore high voltage battery packs, wall mounted lithium batteries, and ESS cabinets from Hoenergy -- your 2025 Global Tier 1 Energy Storage Provider.

Waterproof Outdoor Battery Cabinet

Shop durable waterproof outdoor battery cabinets for telecom, solar, and energy storage. IP55-IP66 rated, air-cooled, customizable stainless steel & aluminum enclosures. Fast delivery, OEM/ODM ...



500kW Energy Storage Cabinet-60kWH~ 500kWH Customized Battery ...

500kW Energy Storage Cabinet-60kWH~ 500kWH Customized Battery Solutions for Every Customer Size-Bidirection

Inverter AC DC Converter & Power Conversion System ...



China 316 STAINLESS STEEL 700 (H)X 500 (W)X 300 (D) IP66

The choice of 316 stainless steel ensures exceptional corrosion resistance, making it ideal for installations in harsh environments, including outdoor and marine settings. The alloy's composition

...



Commercial Energy Storage System

ZECONEX energy storage system companies produced a 250KW/500KWH

...

Cabinet Energy Storage System 100kwh to 500kwh Floor ...

Basic Info. Energy Capacity
100kWh-500kWh Power Configuration
100kW-250kW Cycle Life 8000 Cycles

(80%DOD) Cooling Method Air or Liquid
 Battery Capacity 233kwh BMS Built-in
 BMS ...

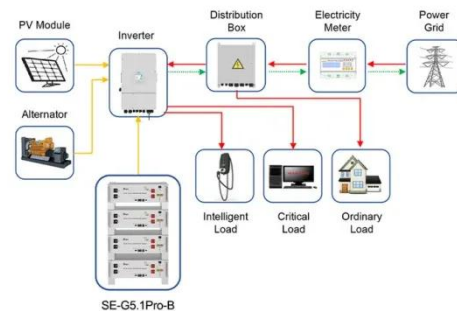


**Commercial Energy Storage System
 , 250KW/500KWH**

ZECONEX energy storage system companies produced a 250KW/500KWH commercial energy storage system consists of a Solar & Energy Storage System and five battery cabinets, integrating storage ...

**500kW Energy Storage
 Cabinet-60kWH~ 500kWH
 Customized Battery ...**

500kW Energy Storage Cabinet-60kWH~
 500kWH Customized Battery Solutions
 for Every Customer Size-Bidirection
 Inverter AC DC Converter & Power
 Conversion System manufacture R& D
 company



Application scenarios of energy storage battery products

Contact Us

For catalog requests, pricing, or partnerships, please visit:
<https://www.espay.es>

