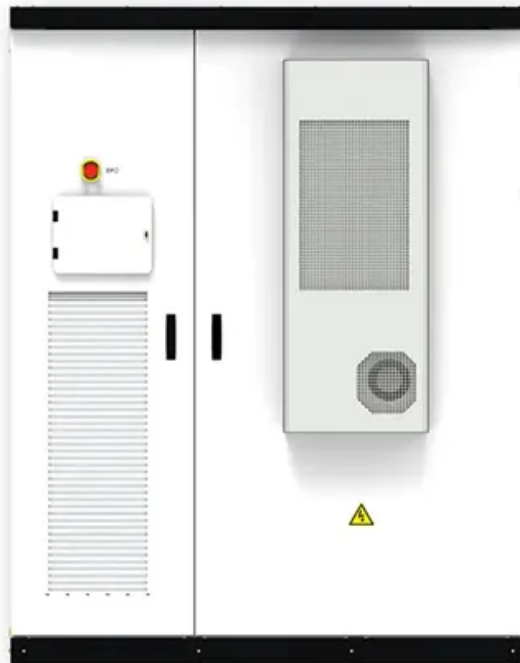


Espay Solar Energy S.L.

India China Solar Power



Overview

China controls 75–95% of the global solar PV supply chain, including 91% of polysilicon and over 97% of wafers, making it the primary supplier worldwide. Despite some decline, India still relies on China for over 50% of its solar cells and modules, with imports. As the country powers ahead in solar energy, its supply chain tells a different story — one dominated by China India achieved 50% non-fossil electricity capacity five years ahead of its 2030 target, largely driven by solar energy expansion. This analysis compares India and China's energy paths at equivalent levels of economic development, using data from the World Bank for GDP, Ember for electricity and the IEA for energy. India's solar industry and manufacturing industry is gaining momentum, emerging as a serious contender to challenge China's dominance, despite mounting U. tariffs and global supply chain hurdles. India has set an ambitious renewable energy goal of 500 GW by 2030. With solar power poised to play a central role, the challenge of reducing dependency on imported solar equipment, particularly. India's solar sector is witnessing a significant shift, with imports of solar cells and modules declining by 20 per cent and 57 per cent, respectively, in the first eight months of FY2024-25, according to estimates from Rubix, an analytics services provider and reported by The Economic Times.

India China Solar Power



India's solar industry wants to grow, but it has to face China first

Solar industry leaders have raised concerns that the lack of maturity of domestic solar production, the curb on imports, and growing exports to the US at the expense of domestic use could ...

India's electrotech fast-track: where China built on coal, India is

Rapid solar deployment. In 2012, China had negligible solar generation. In 2025, solar accounted for 9% of India's electricity generation, up from half a percent a decade earlier. India has a ...



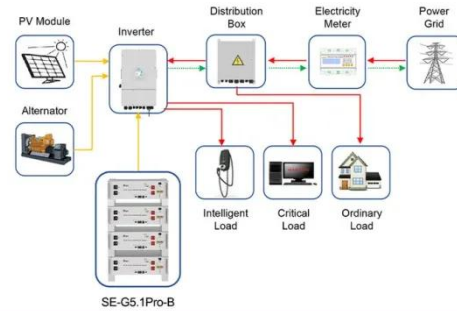
India Solar Industry Rises To Challenge China In 2025

India's solar industry and manufacturing industry is gaining momentum, emerging as a serious contender to challenge China's dominance, despite mounting U.S. tariffs and global supply ...

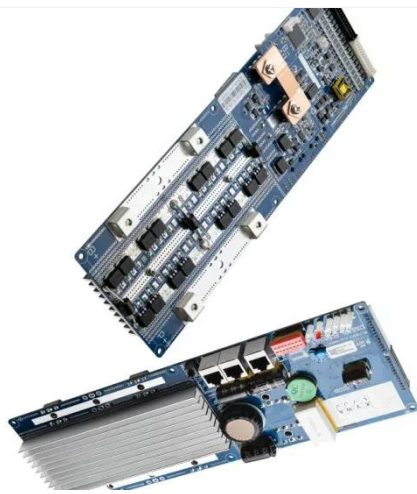
India Sees a Future Making Solar

Panels for Itself, and Maybe the World

And one of its top customers, no less. India, a big buyer of Chinese solar panels and electric vehicle batteries, is using a raft of government incentives to make more green gear at home.



Application scenarios of energy storage battery products



India's Solar Surge: Navigating China's Supply Chain Dominance

China controls 75-95% of the global solar PV supply chain, including 91% of polysilicon and over 97% of wafers, making it the primary supplier worldwide. Despite some decline, India still ...

China, India expedite renewables expansion amid geopolitical

China and India are accelerating renewable energy expansion as geopolitical tensions increase the demand for non-fossil fuel sources of energy, despite worries the new trade tariff regime ...



India's solar industry must break free from Chinese dependence

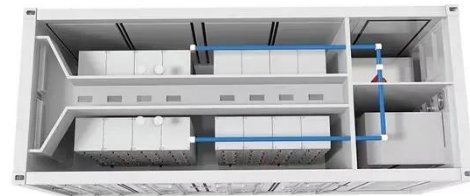
India must overcome its dependence on China's solar industry while maintaining

momentum toward its renewable energy targets. India has made significant strides in scaling up ...



China's Share In India's Solar Cell Imports Plunges From

In FY2023-24, China accounted for over 90 per cent of India's solar cell imports, but this has now fallen to 56 per cent. Similarly, Chinese solar module imports have dropped to 65 per



India's solar industry navigates between US tariffs and Chinese

India's clean energy appetite is helping the country's solar power industry wean itself off imported Chinese parts and continue growing as it faces a tougher sell to its biggest foreign customer, the ...

India's solar industry, aiming to compete with China, finds strength as

The cost of solar power -- now half that of new coal-powered plants -- and India's

many sunny days are reasons that experts said installed solar power increased 30 times in the last



Contact Us

For catalog requests, pricing, or partnerships, please visit:
<https://www.espay.es>

