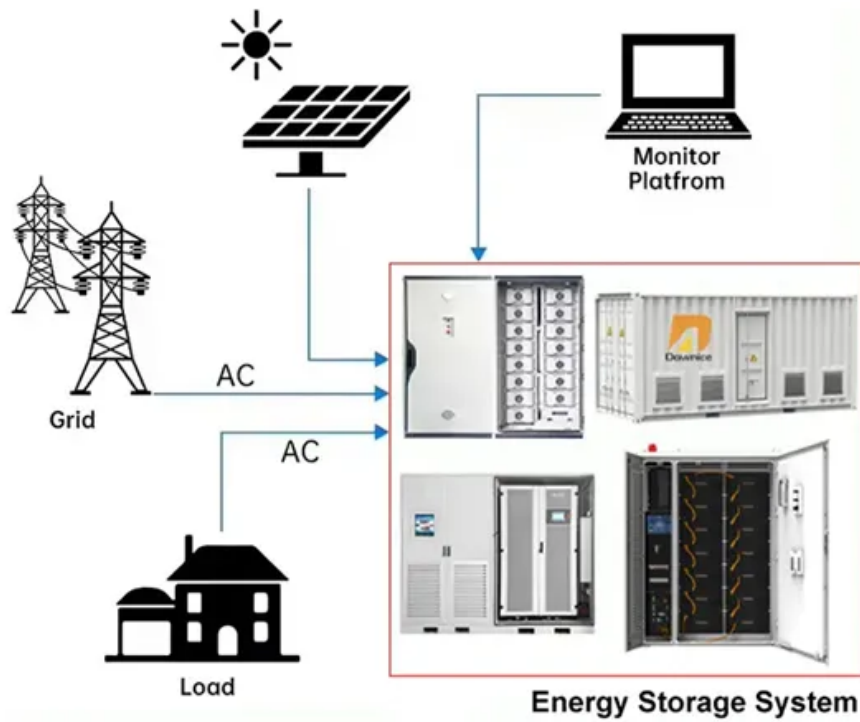


Espay Solar Energy S.L.

Inverter plus lithium battery 220

DISTRIBUTED PV GENERATION + ESS



Inverter plus lithium battery 220



IPower-Plus Series (220/230VAC) 350~5000W Pure ...

IPower-Plus is a high-frequency pure sine wave inverter that can convert 12/24/48VDC to 220/230V AC and power the AC loads. It is designed according ...

Amazon : Lithium Battery Inverter

150W Portable Power Supply Inverter Fit for Makita and Bosch 18V Lithium Battery and Nickel Battery, DC 18V to AC 120V Powered Compact Cordless Inverter with Dual USB 5V 3.1A and LED Light



Best Inverter For 220 Ah Battery [Updated On

After thorough testing and comparing with other options, I confidently recommend this inverter as the best blend of power, safety, and flexibility for a 220 Ah battery system.

Best Inverter Options for Lithium Battery Use in 2025-2025

Finding the right inverter to pair with lithium batteries can improve efficiency, safety, and reliability for solar storage, home backup, and off-grid systems.



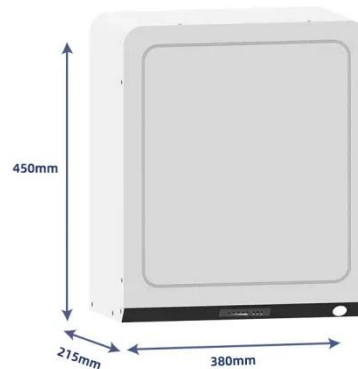
Best Inverters for Lithium Batteries to Power Your Off-Grid and ...



Below is a comparison table summarizing some top-rated inverters and inverter-inclusive setups that work well with lithium batteries for various applications including RVs, solar systems, and ...

IPower-Plus Series (220/230VAC) 350~5000W Pure Sine Wave Inverter

IPower-Plus is a high-frequency pure sine wave inverter that can convert 12/24/48VDC to 220/230V AC and power the AC loads. It is designed according to the international standard with higher quality, ...



Best Large Lithium Battery Inverter [Updated: February 2026]

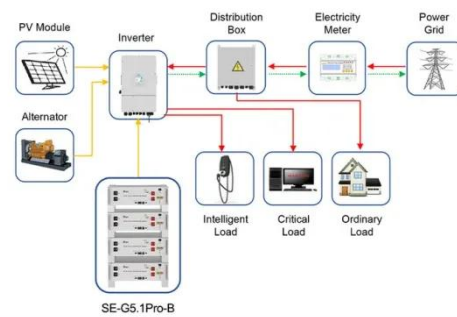
To assess the right choice for your off-



grid power needs with a large lithium battery inverter, consider your power requirements, the inverter's specifications, efficiency, battery capacity, ...

How to Choose the Right Inverter for a Lithium Battery System

Choosing the wrong inverter for lithium battery use can lead to inefficiency, system instability, or even battery damage. Unlike lead-acid systems, lithium batteries operate across a different voltage curve, ...



Application scenarios of energy storage battery products

 TAX FREE

ENERGY STORAGE SYSTEM

Product Model
HJ-ESS-215A(100KW/215KWh)
HJ-ESS-115A(50KW/115KWh)

Dimensions
1600*1280*2200mm
1600*1200*2000mm

Rated Battery Capacity
215KWH/115KWH

Battery Cooling Method
Air Cooled/Liquid Cooled



Best Inverter For 220 Ah Battery [Updated On: February 2026]

Different inverters work optimally with specific battery types, such as lead-acid or lithium. Ensure that the inverter fits the specifications of your 220AH battery for smooth operation.

Best Inverters for Lithium Battery Power Systems

Below is a concise comparison table summarizing the top-rated inverters and lithium battery kits, followed by detailed

reviews of the 5 best products suited for different power requirements.



Contact Us

For catalog requests, pricing, or partnerships, please visit:
<https://www.espay.es>

