

Espay Solar Energy S.L.

Juba lithium-ion batteries



Overview

The Juba electric vehicle energy storage battery price remains a critical factor for buyers, ranging from fleet operators to individual consumers. This article explores cost drivers, technological advancements, and purchasing strategies tailored for South Sudan's unique market. The future of Li-ion batteries is expected to bring significant advancements in cathode materials, including high-voltage spinels and high-capacity Li-/Mn-rich oxides. What are lithium ion batteries?

Lithium-ion batteries (LIBs) with layered oxide cathodes have seen widespread success in electric. Empowering Communities and NGOs Through Compassionate Aid and Sustainable Product Solutions. Copyright © 2024 Atlas Relief Services Ltd. When discussing the Juba lithium battery factory, we're addressing professionals in renewable energy systems, industrial power management, and commercial energy storage solutions. Our primary audience includes: Procurement managers seeking reliable battery suppliers Energy project developers workin. Superior lithium battery separator with extraordinary electrochemical performance and thermal stability based on hybrid UHMWPE/SiO₂ nanocomposites via the The performance of lithium-ion batteries is greatly affected by the materials and structure of the separators. This paper introduces the. 24V UPS 100Ah UPS battery Uninterruptible power supply Smart UPS system Industrial backup power Home backup power High-efficiency UPS Long-lasting power supply Emergency power backup Reliable UPS for equipment Solar power UPS Heavy-duty UPS Backup power for critical devices Battery backup system. As the world moves towards sustainable and renewable energy solutions, Aptech Africa Ltd- Juba facilitated the move by installing a solar PV system in a hostel in Juba. 9kw off grid roof mounted stand- alone system with a 15kWhr.

Juba lithium-ion batteries

High Voltage Solar Battery



Juba0 2025 48V 60V 30ah 20ah Lithium Battery Electric Bicycle ...

The company has a variety of battery models, including multi-string lithium battery (12V / 18V / 24V / 36V / 48V / 60V / 72V / 96V) and other multi-voltage multi-capacity various models.

Juba new lithium battery material

They discovered a new kind of solid-state electrolyte, the kind of material that could lead to a battery that's less likely to burst into flames than today's lithium-ion batteries.



Product Model
 HJ-ESS-215A(100KW/215KWh)
 HJ-ESS-115A(50KW/115KWh)

Dimensions
 1600*1280*2200mm
 1600*1200*2000mm

Rated Battery Capacity
 215KWH/115KWH

Battery Cooling Method
 Air Cooled/Liquid Cooled



LITHIUM ION BATTERY ENERGY STORAGE CONTAINER ...

Credit: Ezra Group A public-private partnership in South Sudan has launched the country's first major solar power plant and Battery Energy Storage System (BESS) in the capital Juba, where it is ...

Juba Lithium Battery Factory:

Powering Sustainable Energy Solutions

The Juba lithium battery factory stands at the forefront of energy storage innovation, offering tailored solutions that bridge renewable energy integration with industrial power demands.



INSTALLATION OF A SOLAR PV SYSTEM AT A HOSTEL IN JUBA

Risen solar panels of 545w were used, 5.04kWh Lithium-ion batteries from BYD, 5KVA Quattro Victron inverter and Victron Smart Solar MPPT charge controller. An online monitoring ...

Companies producing silicon lithium batteries in Juba

We have selected 10 standout innovators from 1.5K+ new lithium battery companies, advancing the industry with cathode active material, nano-silicon material, battery-based electrification



Juba Electric Vehicle Energy Storage Battery Price Trends Insights

Electric vehicle (EV) adoption in Juba is accelerating, driven by rising fuel costs and environmental awareness. At the

heart of this shift lies energy storage solutions - specifically, lithium-ion batteries.



Lithium Ion Batteries

Empowering Communities and NGOs Through Compassionate Aid and Sustainable Product Solutions. Copyright © 2024 Atlas Relief Services Ltd. All rights reserved.



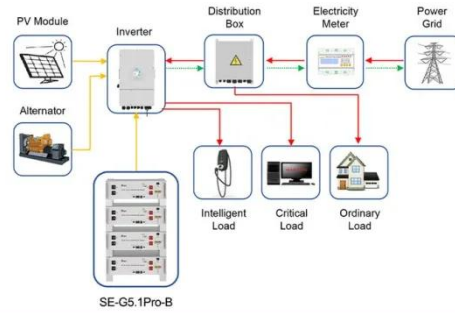
South sudan lithium battery energy storage

Solar Photovoltaic and Battery Storage Systems for Grid-Connected in Urban: A Case study of Juba, South Sudan Our results show that Lithium-ion batteries can be a financially viable

Juba produces lithium-ion battery separators

In recent years, there have been intensive efforts to develop advanced battery separators for rechargeable lithium-ion batteries for different

applications such as portable electronics,
electric ...



Application scenarios of energy storage battery products

Contact Us

For catalog requests, pricing, or partnerships, please visit:
<https://www.espay.es>

