

Espay Solar Energy S.L.

Measure the size of photovoltaic panels during installation

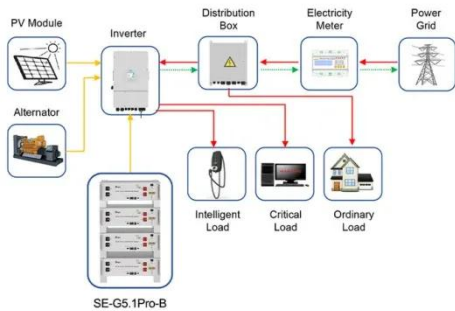


Overview

To determine how to size solar panels for your setup, simply multiply your average daily sunlight hours by the quantity of panels you intend to install.

Standard Residential Panels Optimize Space and Handling: The industry-standard 60-cell panel dimensions (65" × 39" × 1.5") aren't arbitrary – they represent the optimal balance between power output, installation ease, and roof space utilization. At 40-46 pounds, they can be safely handled by. Online solar calculators can give a rough estimate of how much solar you need to power your home, but you may want to perform your own sizing calculations to fine-tune your choices. With limited roof space, inaccurate measurement and planning may result in insufficient installed capacity, wasted space, and an extended. Most residential solar panels measure between 65 to 75 inches long and 39 to 41 inches wide, delivering power outputs ranging from 250 to 400 watts per panel.

Measure the size of photovoltaic panels during installation



Application scenarios of energy storage battery products

How to Size a Solar System: Step-by-Step (2024 Guide)

Sizing solar system involves calculating the specific setup you'll need to generate, store, and provide the amount of electricity you need to power your home. You'll want your solar power ...

How to Size a Solar System [Step-by-Step Guide]

Once you have your final array size, simply divide by the wattage of your desired solar panels to figure out how many panels you need. Using our example of a 7.2 kW (7,200-watt) array for 100% offset, ...



- IP65/IP55 OUTDOOR CABINET
- IP54/55
- OUTDOOR ENERGY STORAGE CABINET
- OUTDOOR MODULE CABINET

Solar panel size and weight: everything you need to know

To determine whether a PV installation will fit on your roof or property, you can calculate your total solar panel dimensions based on the energy-generating capacity of your system.

Perfect Solar Panel Sizes for Your

Home (Expert Sizing Guide)

Most residential solar panels measure between 65 to 75 inches long and 39 to 41 inches wide, delivering power outputs ranging from 250 to 400 watts per panel.



How to Size a Solar System [Step-by-Step Guide]

Step 1: Determine Your Average Monthly Kwh Usage
 Step 2: Calculate Your Daily Kwh Usage
 Step 3: Estimate The Amount of Sunlight Your Solar Panels Will Receive
 Step 4: Account For Inefficiencies
 Step 5: Full Or Partial Offset?
 Step 6: Determine How Many Solar Panels You Need
 Once you have your final array size, simply divide by the wattage of your desired solar panels to figure out how many panels you need. Using our example of a 7.2 kW (7,200-watt) array for 100% offset, here's a sample system that would cover our needs: 7.2 kW solar array with 400W Phono Solar panels: $7,200 \text{ watts} / 400 \text{ watts} = 18 \text{ panels}$ What's the Co See more on gogreensolar Location: 1630 South Sunkist Street Ste E, Anaheim, 92806, California

Videos of Measure The Size Of Photovoltaic Panels During Installation

Watch video 11:38"Unlocking Solar Power

System Efficiency: Ultimate Guide to PV String Sizing!" Ak Electric DIY100.9K viewsWatch full videoWatch video25:51How to Size a Solar Power System for Your Home in 2025 (Step-by-Step Guide). Electrical Beast11K views5 months agoWatch video16:52How to Size your Solar Power System DIY Solar Power with Will Prowse2.4M viewsWatch video19:01How to Size a Solar Power System for Your Home (DIY) Solarwatt Academy107K viewsWatch full video

Solar Panel System Sizing Guide , Calculate Perfect Home System Size

Learn how to size solar panels for your home correctly. Complete guide with calculations, examples, and professional tools to avoid costly sizing mistakes.

Solar Panel System Sizing Guide , Calculate Perfect Home System Size

Learn how to size solar panels for your home correctly. Complete guide with calculations, examples, and professional tools to avoid costly sizing mistakes.



How To Size A Solar System

In this article, I will guide you through the process of sizing a solar system, demystifying the complexities and

empowering you to make an informed decision that aligns perfectly with your ...



Rooftop Solar Panel Size and Layout Guide

This article, based on practical case studies and calculation formulas, analyzes solar panel dimensions, spacing, and rooftop assessment methods to help distributors and users select ...



How to measure the solar panels , NenPower

Begin with measuring the dimensions of the solar panels. Detailed, systematic measurement reduces opportunities for errors stepping later into the project.

How to Size Solar Panels: A Step-by-Step Guide for ...

To determine how to size solar panels for your setup, simply multiply your average daily sunlight hours by the quantity of

panels you intend to install.



Solar Panel Size & Dimensions Guide 2025 , Complete Specs

In this comprehensive guide, you'll learn everything you need to know about solar panel sizing, from standard dimensions to weight considerations, helping you determine the perfect solar ...

Contact Us

For catalog requests, pricing, or partnerships, please visit:
<https://www.espay.es>

