

Espay Solar Energy S.L.

Mirrors as solar panels



Mirrors as solar panels



Reflecting on Solar Energy with Mirrors and Their Impact

Explore the innovative world of solar energy with mirrors. Our in-depth guide delves into the fascinating technology of harnessing sunlight using mirrors.

Increase power output and radiation in photovoltaic systems by

The use of affordable mirrors is a promising approach to reflecting and concentrating linear sunlight. In this article, the implementation of mirrors to increase the power output and irradiance of ...



Australia made a breakthrough in using mirrors to generate solar ...

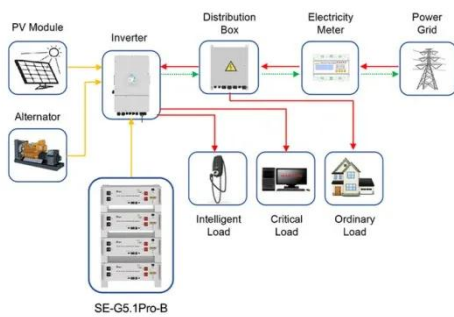
Australia made a breakthrough in using mirrors to generate solar power "This is significant because it creates the opportunity for greater renewable energy storage."



Mirror reflection can make

photovoltaic panels

mirrors to redirect sunlight for solar panels. This means they reflect solar radiation onto PV panels enhancing their energy i The conditions are: i) panel output when the panel was inclined at ...



Application scenarios of energy storage battery products

IMPROVING THE EFFICIENCY OF SOLAR PANELS WITH ...

This study looks at the use of mirrors to enhance the efficiency of solar panels by focusing sunlight on their surface, increasing the quantity of light received and converted into power. The ...

Using Mirrors To Redirect Sunlight To Your Solar Panels!

Yes, using mirrors alongside your solar panels has been shown to increase efficiency by up to 75% in some cases. Even if your numbers aren't quite that high, you're sure to generate more ...



Using Mirrors To Reflect Sunlight For Solar Panels

Using Mirrors to Reflect Sunlight for Solar Panels Harnessing solar energy through photovoltaic (PV) panels is a crucial aspect of the global transition towards

renewable energy. While solar panels are ...



Solar Panel Mirrors: How Do Heliostats Work?

Ordinary photovoltaic panels absorb sunlight and convert it into electricity, but mirror solar panels reflect it back. Why?



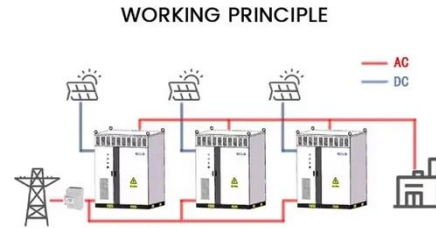
Sunlight Reflection Tactics Boost Solar Panel Efficiency

I've discovered that incorporating innovative sunlight reflection tactics can greatly enhance solar panel efficiency. By leveraging mirrors, lenses, and polished metal surfaces, I can redirect ...

Can Mirrors Boost Solar Panel Output?

Therefore, to keep your solar panels safe, you have to find a balance between energy generation and minimizing excessive heat accumulation produced

by mirrors. To sum up, mirrors ...



Contact Us

For catalog requests, pricing, or partnerships, please visit:
<https://www.espay.es>

