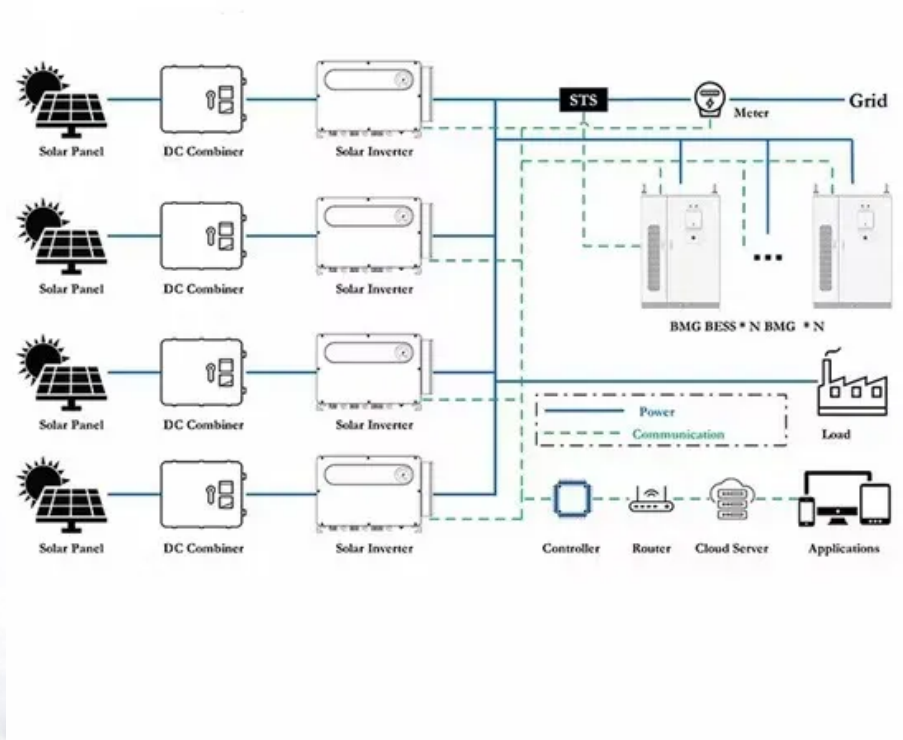


Espay Solar Energy S.L.

Mozambique Huijue Communication 5G Base Station Project 2025 Project



Mozambique Huijue Communication 5G Base Station Project 2025 P



Communication Base Station Lifecycle Cost , Huijue Group E-Site

Will tomorrow's base stations be invisible, self-powering entities embedded in street furniture? Operators betting on communication base station lifecycle cost optimization today will likely lead that charge.

Communication Base Station Quick Deployment , Huijue Group E-Site

The telecom industry faces a paradoxical challenge: 5G networks require 3x more base stations than 4G, yet urban areas now experience 40% longer permitting processes.

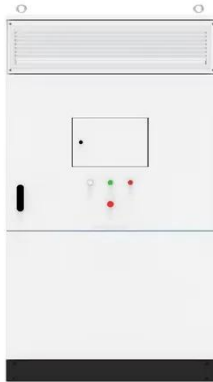


Communication Base Station Regulatory Compliance , Huijue Group ...

Did you know 23% of 5G rollout delays stem from communication base station regulatory compliance issues? As telecom operators race to deploy next-gen networks, regulators are tightening controls on ...

Communication Base Station Technology Roadmap , Huijue Group E ...

As global mobile traffic surges 35% annually (Ericsson Mobility Report 2023), the communication base station technology roadmap faces unprecedented demands. How can next-gen infrastructure ...



Enabling the 5G Era, Huijue Group Upgrades Energy Solutions for

Facing the challenges of the increasingly expanding network coverage and the surging power demand of base stations, the energy architecture of traditional communication sites has been ...

Scope of Mozambique Communication 5G Base Station solar ...

The growing penetration of 5G base stations (5G BSs) is posing a severe challenge to efficient and sustainable operation of power distribution systems (PDS) due to their huge



Huijue 5G communication base station energy storage system

To cope with the problem of no or difficult grid access for base stations,



and in line with the policy trend of energy saving and emission reduction, Huijue Group has launched an innovative base station ...

5G to be mandatory in all Mozambique provincial capitals

The Mozambican government is going to make fifth-generation (5G) mobile network coverage compulsory in all provincial capitals, but is backtracking on the planned auction to allocate ...



Base Station Energy Storage Quality , Huijue Group E-Site

With global 5G base stations projected to exceed 7 million by 2025, base station energy storage quality has become the linchpin of network reliability. But why do 23% of telecom outages ...

Contact Us

For catalog requests, pricing, or partnerships, please visit:
<https://www.espay.es>

