

**Espay Solar Energy S.L.**

# **Northeast Energy Storage Battery Cabinet 600mm Depth**



## Northeast Energy Storage Battery Cabinet 600mm Depth

---



### Integrated energy storage cabinets

To use an integrated energy storage cabinet, install batteries and related equipment into designated compartments. The cabinet provides a centralized and secure storage solution for energy storage ...

### Battery Cabinet

Engineered to withstand harsh weather conditions, this cabinet is specifically designed to protect your batteries while maximizing performance. With its spacious 18U capacity and 600mm depth, the ...

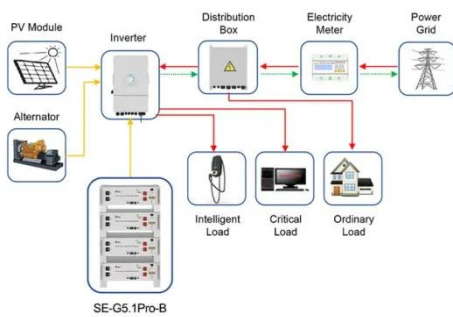


### Battery Cabinet For Sale, Electrical Storage Cabinet Manufacturer

Four 51.2V100AH lithium iron phosphate batteries with independent intelligent protection panels are connected in parallel to form a battery cabinet for sale, a robust electrical storage cabinet.

### Energy Storage Enclosures/Cabinets , Modular Design to Meet ...

Our battery storage cabinets are constructed with a modular design, providing optimal flexibility for businesses across various sectors. Our power storage cabinets also adhere to safety and quality ...



Application scenarios of energy storage battery products

### Outdoor Battery Box Enclosures and Cabinets , Lithium-ion , Solar

AZE's heavy duty outdoor battery enclosures and Lithium battery storage system are available in NEMA 3R, or 4X configurations. These outdoor battery enclosures, which come in all shapes and sizes, are ...

### Cabinets and racks - KonkaEnergy

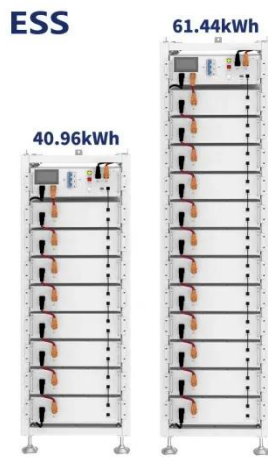
KonkaEnergy Cabinets & Racks Collection - Engineered for secure and efficient energy storage, our battery cabinets and racks provide robust solutions for commercial and industrial applications.



- 50KW/100KWH
- HIGHER POWER OUTPUT IN OFF-GRID MODE
- CONVENIENT OPERATION & MAINTENANCE
- PRE-WIRED

### Battery Cabinet Solutions for UPS & Energy Storage Systems

We stock new and used battery cabinets in support of our energy storage packages, ups backup systems and



rental UPS. Speak to a power expert to match up with your specific requirements.

## Residential Battery Cabinets

Engineered to seamlessly integrate into your home, these cabinets offer a sleek and organized solution for your energy storage needs. With secure compartments and modern design, our cabinets provide ...



Test certification  
CE, FCC



## Battery Cabinet, Battery Storage Cabinet, Battery Bank Rack

EverExceed customizes all types of Battery Rack, battery cabinet for lithium Battery, LiFePO4 battery and battery storage system, which are easily assembled at site.

## All-in-One Energy Storage Cabinet & BESS Cabinets , Modular, ...

Featuring lithium-ion batteries, integrated thermal management, and smart BMS technology, these cabinets

are perfect for grid-tied, off-grid, and microgrid applications. Explore reliable, and IEC ...



---

## Contact Us

---

For catalog requests, pricing, or partnerships, please visit:  
<https://www.espay.es>

