

Espay Solar Energy S.L.

Off-grid solar energy storage cabinet 500kW agreement



Off-grid solar energy storage cabinet 500kW agreement



Complete Solar Energy System Storage 500KW 1MW Off-grid On Grid ...

Namkoo's containerized battery energy storage solution is a complete, self-contained battery solution for utility-scale energy storage. It puts batteries, A/C, UPS, inverter and auxiliary equipment in a single container or ...

500kW / 1MWh Smart Microgrid Solar Battery Storage ...

Featuring a split PCS and battery cabinet design, it offers 1+N scalability and integrates seamlessly with solar PV, diesel generators, the grid, and utility power.



Outdoor Energy Storage System from 500 kVA/1116 kWh to 500

This open platform, integrated in the C-Cab, provides access to: o transition from on-grid to off-grid mode via the black start function, o multi-source microgrid autonomous management, o compatibility with third-party ...

SFQ-Microgrid PV storage cabinet Scess-T 500kW/1075kWh/a

The SFQ Micro Grid PV Storage Cabinet SCESS-T 500KW/1075KWH/A is a high-performance storage system that prioritizes safety and reliability.

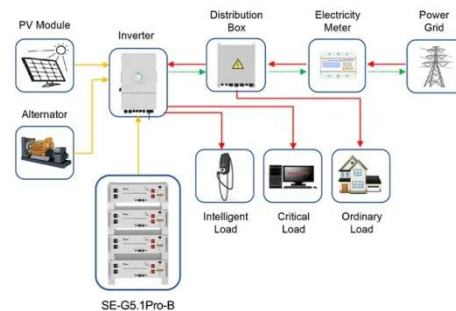


500kW Hybrid Solar Energy System Commercial-Grade PV + Storage

Advanced features include an integrated ATS cabinet for seamless grid-off-grid switching, an optional EMS cabinet with touchscreen control, UPS backup, and real-time monitoring. The entire solution is CE and IEC ...

Sunway Intelligent Air Cooling 500kW 1075kWh Outdoor Cabinet Energy

? High-Capacity Outdoor Energy Storage for Scalable Applications Key Features: 1075kWh battery storage with 500 kW rated AC output, ideal for commercial and industrial loads. Combines LFP batteries, PCS, ...



Application scenarios of energy storage battery products

500kW 1MWh Microgrid Industrial Battery Energy Storage System

Easily upgradable from 500kW to 1MW



of energy storage, storing up to 3.8MWh of energy, enough to power an average 3,600 homes for one hour.

250kW/500kWh Outdoor Cabinet Energy Storage System Outdoor ...

It adopts door-mounted embedded integrated air conditioning, which does not occupy cabinet space, improves the available space of outdoor cabinets, has better structural integrity at the top, and has ...



500kW Battery Energy Storage System

Each BESS container has either a 300kW or 500kW PCS system offering a complete, install ready energy storage system. All system systems are offered with either 400VAC or 480VAC 3 phase interconnect voltages.

500KW 1MW off Grid Solar Power System

The 500KW to 1MW off-grid solar power system is a high-capacity renewable

energy solution designed for remote locations, industrial sites, and large-scale applications.



Contact Us

For catalog requests, pricing, or partnerships, please visit:
<https://www.espay.es>

