

Espay Solar Energy S.L.

Photovoltaic panel surface burnt



3354KWH

1331.2V 2520AH



Photovoltaic panel surface burnt



Solar Panel Burn Marks Damage Assessment and Repair Options

Introduction to Solar Panel Burn Marks
Burn marks on solar panels are dark, discolored, sometimes charred spots that can appear on the glass surface or internally near cells and ...

Photovoltaic panel surface burnt

Why are solar panel fires so common?
Most of the solar panel fires Paiss has seen reported have been related to electrical connectors. These kinds of installation errors are a special challenge for firms ...



Why Do Photovoltaic Panel Components Burn? Causes and ...

Meta description: Discover the root causes behind photovoltaic panel component burning incidents. Learn how manufacturing flaws, environmental stressors, and installation errors contribute ...



Most Common Solar Panel Defects

and How to Avoid Them

Solar panels are an excellent investment, but like any technology they aren't immune to defects. In this blog, we will explore the 10 most common solar panel defects from micro-cracks and ...



Experimental Study on the Burning Characteristics of Photovoltaic

The back side was similarly divided into four zones: undamaged backsheet zone, burnt TPT zone, cell detachment zone and burn-through zone. Meanwhile, the burning process and ...

A state-of-the-art review of fire safety of photovoltaic systems in

It is shown that by increasing the exposed heat flux, the ignition time of PV samples rapidly decreases, which gives a great insight to the fire resistance of PV panels and indicates how ...



How to deal with short circuit and burn marks on ...

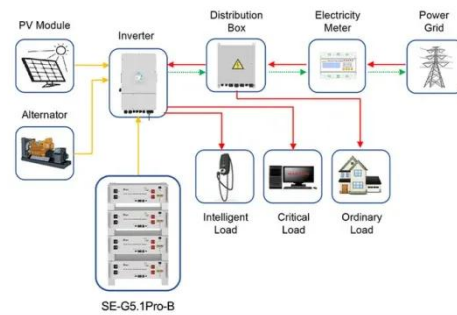
How to deal with short circuit and burn marks on photovoltaic panels What happens if a solar panel is burnt? A burnt bypass diode or connector can leave the

panel in open circuit and stop transferring ...

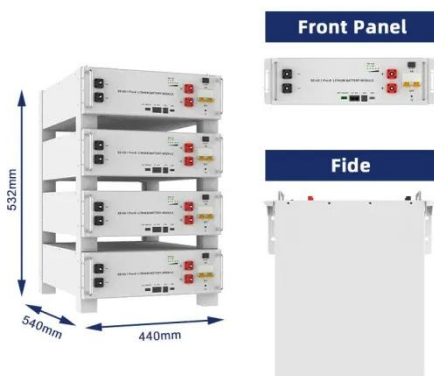


Solar Panel Burn Marks Explained

Burn marks on solar panels signal electrical failure, hotspots, or wiring issues. Learn the causes, dangers, and how to fix burned solar panels safely.



Application scenarios of energy storage battery products



What to do if the solar panel is burned , NenPower

Choosing between repair and replacement of a burned solar panel involves various factors, primarily hinging on the extent of damage and the panel's age. If substantial damage is ...

Investigation of combustion hazards of glass photovoltaic panels ...

The glass panel of the photovoltaic module features a white glass cover on its front surface, while its rear side is covered with a white photovoltaic

backsheet film, as illustrated in Fig. 2.



Contact Us

For catalog requests, pricing, or partnerships, please visit:
<https://www.espay.es>

