

**Espay Solar Energy S.L.**

# **Principle of photovoltaic bracket structure recognition**



## Overview

---

Solar brackets that support photovoltaic modules can be divided into rooftop, ground, and water surface types according to the usage scenarios of the modules; According to whether the component angle can be adjusted during the operation of the power generation system, it can be. Solar brackets that support photovoltaic modules can be divided into rooftop, ground, and water surface types according to the usage scenarios of the modules; According to whether the component angle can be adjusted during the operation of the power generation system, it can be. Abstract: In order to improve the overall performance of solar panel brackets, this article designs a solar panel bracket and conducts research on it. This article uses Ansys Workbench software to perform finite element analysis on the bracket, and simplifies the bracket based on the results of the. selected tracking photovoltaic support system. Key findings are lution designed for ground-based installations. Whether it's fixed brackets or tracking brackets that can adjust angles aut into electrical energy using the photovoltaic effect. ; Working Principle: The working of solar cells involves light photons creating electron-hole pairs at the p-n. What is a fixed adjustable photovoltaic support structure?

In order to respond to the national goal of "carbon neutralization" and make more rational and effective use of photovoltaic resources, combined with the actual photovoltaic substation project, a fixed adjustable photovoltaic support. Our photovoltaic bracket structure explanation diagram set reveals what engineers won't tell you over coffee.

## Principle of photovoltaic bracket structure recognition

---



### Photovoltaic bracket structure diagram recognition method

A PV bracket is a support structure that arranges and fixes the spacing of PV modules in a certain orientation and angle according to the specific geographic location,

---

### Structural Design and Simulation Analysis of New Photovoltaic Bracket

Save construction materials, reduce construction cost, provide a basis for the reasonable design of PV power plant bracket, and also provide a reference for the structural design of fixed ...



### Design of photovoltaic bracket

In order to respond to the national goal of "carbon neutralization" and make more rational and effective use of photovoltaic resources, combined with the actual photovoltaic substation project, a fixed ...

---

## Key Points of Flexible Photovoltaic

## Bracket Structure Design

When designing flexible photovoltaic supports, the requirements of structural stability, weather resistance, lightweight and strength must be comprehensively considered to ensure the long ...



## Photovoltaic tracking bracket structure diagram

The goal of this thesis was to develop a laboratory prototype of a solar tracking system, which is able to enhance the performance of the photovoltaic modules in a solar energy system.

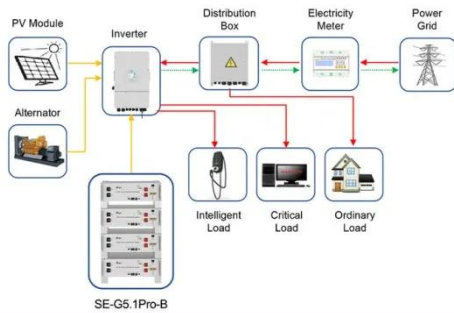
## Photovoltaic Bracket Structure Explained: Diagrams & Insider Tips

Let's face it - photovoltaic brackets are like the unsung heroes of solar energy systems. While everyone oohs and ahhs over shiny solar panels, these structural workhorses literally carry the weight.



## Structural Classification And Selection Scheme Of ...

Before designing photovoltaic modules, it is necessary to understand the structural classification and selection scheme of solar brackets.



Application scenarios of energy storage battery products

## Photovoltaic bracket principle detailed illustrations

Working Principle of Photovoltaic Cells. A photovoltaic cell essentially consists of a large planar p-n junction, i.e., a region of contact between layers of n- and p-doped semiconductor



## Lightweight design research of solar panel bracket

In the established solar panel brackets system, this article conducts numerical simulation on the brackets and optimizes the design of the main beam part of the brackets based on the analysis results.

## PRINCIPLE OF PHOTOVOLTAIC BRACKET STRUCTURE ...

In order to achieve the effective use of resources and the maximum conversion rate of photovoltaic energy, this project designs a fixed adjustable photovoltaic

bracket structure which is easy to adjust

...



---

## Contact Us

For catalog requests, pricing, or partnerships, please visit:  
<https://www.espay.es>

