

Espay Solar Energy S.L.

Quotation for a mobile energy storage container bidirectional charging project



Quotation for a mobile energy storage container bidirectional charging

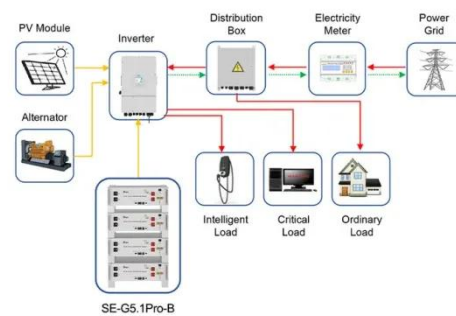


Bidirectional charging

Bidirectional charging is economical for customers. The flexibility of electric vehicles can be used by means of bidirectional charging in numerous applications to promote self-sufficiency, ...

Project Bidirectional Charging Management--Results and

The Bidirectional Charging project, which began in May 2019, aimed to develop an intelligent bidirectional charging management system and associated EV components to optimize the ...



Application scenarios of energy storage battery products



Bidirectional Charging and Electric Vehicles for Mobile Storage

Bidirectional electric vehicles (EV) employed as mobile battery storage can add resilience benefits and demand-response capabilities to a site's building infrastructure. A bidirectional EV can ...

Optimal of Siting and Pricing for Multi-Type Charging Facility

With the popularity of electric vehicles (EVs) and the gradual maturity of the technology of bidirectional power transfer between EVs and the grid, EVs as a mobile energy storage device to ...



Mobile Energy Storage Battery Container Price: Key Factors and ...

Who's Driving the Demand for Mobile Energy Storage Containers? Ever wondered why these steel boxes with batteries are suddenly everywhere - from solar farms to music festivals? Let's ...

Quotation for Low-Pressure Energy Storage Container Project

Integrate solar, storage, and charging stations to provide more green and low-carbon energy. On the construction site, there is no grid power, and the mobile energy storage is used for power supply. ...



Construction quotation of container energy storage foundation

What energy storage container solutions does SCU offer? CU provides 500kwh to

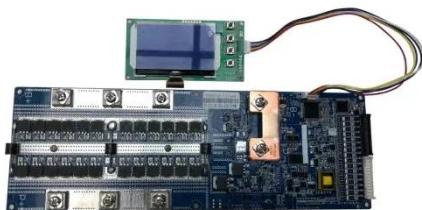


2mwhenergy storage container solutions. Power up your business with reliable energy solutions. Say goodbye How can a

...

Bidirectional Charging & Energy Storage Solutions

Discover how Hager Group is pioneering bidirectional charging technology and energy storage systems to support grid stability and renewable energy use. CEO Sabine Busse highlights ...



EXPANDING BATTERY ENERGY STORAGE WITH BIDIRECTIONAL CHARGING

Automatic Sales of Mobile Energy Storage Containers for Schools What is a mobile solar PV container?High-efficiency Mobile Solar PV Container with foldable solar panels, advanced lithium

...

Contact Us

For catalog requests, pricing, or partnerships, please visit:

<https://www.espay.es>

