

Espay Solar Energy S.L.

Requirements for the ventilation shaft of the generator room



Overview

Although formats may change, most sheets include: Generator or transformer capacity Room dimensions Heat loss values Acceptable temperature increase Ventilation flow Fan size and static pressure Fresh air louver requirement Selection of an exhaust fan. Although formats may change, most sheets include: Generator or transformer capacity Room dimensions Heat loss values Acceptable temperature increase Ventilation flow Fan size and static pressure Fresh air louver requirement Selection of an exhaust fan. Below are some specific requirements as they pertain to generator ventilation systems:

Temperature Control: The ventilation system must maintain an ambient temperature within the manufacturer's specified range for the starting system to operate correctly. Extreme temperatures can affect battery. Designing ventilation for a generator or transformer room is one of those things that practically every MEP engineer has to do at some point or another in their careers. The rooms are very hot, and without proper ventilation, internal equipment can fail, overheat, or even create safety hazards. Factor in:

Generator footprint: Start with the manufacturer's dimensional specs, which include length, width, and height. Choosing the one that suits the generator room and other factors is important. The requirements may vary, and here are the different types that should be known before choosing one: It is effective in maintaining a controlled environment. When a generator is installed and operated in an indoor environment, adequate ventilation for heat dissipation and combustion is required.

Requirements for the ventilation shaft of the generator room



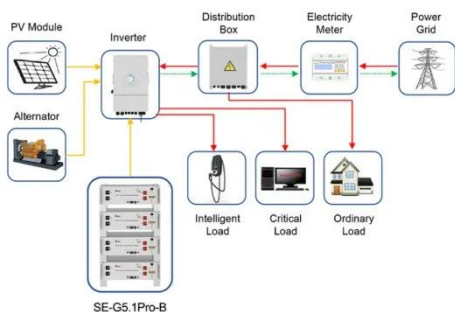
Generator Room Ventilation

This document provides calculations for sizing ventilation requirements for a generator room and transformer room. It calculates heat loads, required airflow, and intake/exhaust area sizes for ...

GENERIC GENERATOR INSTALLATION MANUAL

When a generator is installed and operated in an indoor environment, adequate ventilation for heat dissipation and combustion is required. Ventilation is typically done through the use of an air inlet, air ...

- LIQUID/AIR COOLING
- INTELLIGENT INTEGRATION
- PROTECTION IP54/IP55
- BATTERY /6000 CYCLES



Application scenarios of energy storage battery products

Generator Room Design Requirements , Thompson Machinery

Looking to design a compliant generator room? Discover sizing, layout and access requirements, and planning strategies to meet NFPA and OSHA standards.

Generator Room and Transformer Room Ventilation Design Sheet

The design sheets for the ventilation of generator and transformer rooms make the whole process easier and more accurate. These sheets help engineers calculate heat load, airflow, and fan ...



Generator Engine Room Ventilation

This article addresses engine room ventilation considerations that apply to the successful installation, operation and maintenance of Caterpillar engines, generator sets, compressor units, and ...

Generator room air inlet and outlet shaft spacing

(1) openings in walls of a smoke extract shaft, or a return air shaft which also serves as a smoke extract shaft, or (2) openings in walls of a protected shaft when the openings have a kitchen exhaust duct ...



Examples of Airflows for Different Enclosed Generator Applicatio

the manufacturer had to consider the same airflow requirements for indoor applications. This information sheet



discusses the design requirements for generator system enclosures, the different types of ...

Understanding NFPA 110 Compliance for Commercial Generator Ventilation

Ensuring that a generator's ventilation system is compliant with NFPA 110 involves several key tasks. These checks typically occur during installation, routine inspections, and ...



Generator room air supply and exhaust specifications

This document provides calculations for sizing ventilation requirements for a generator room and transformer room. It calculates heat loads, required airflow, and intake/exhaust area sizes for ...

Generator Room Ventilation Requirements

What is the prime purpose of the ventilation system in the generator room? The proper ventilation serves two

main purposes: producing enough oxygen for fuel combustion and cooling the ...



Contact Us

For catalog requests, pricing, or partnerships, please visit:
<https://www.espay.es>

