

**Espay Solar Energy S.L.**

# **Solar telecom integrated cabinet box-type substation structure**



## Solar telecom integrated cabinet box-type substation structure

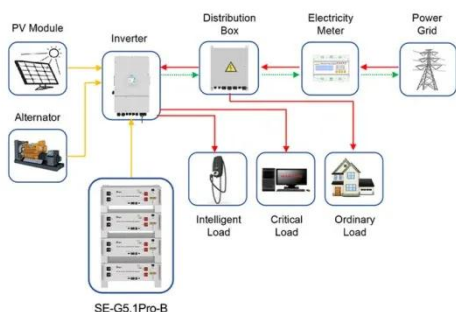


### Integrated Substation-Varelen Electric

Box-type substations are compact, making them ideal for installations where space is limited. Their modular structure combines essential components in a single enclosure, significantly reducing the ...

### For Telecom Applications

This cabinet can economically house a variety of next generation electronic equipment including telco backhaul, fiber distribution, and radio equipment for wireless applications.



Application scenarios of energy storage battery products

### Features, Classifications, Structure, and Operation of Prefabricated

Discover the benefits, structure, and operation of prefabricated substations, also known as box-type substations, used in urban and industrial power distribution. Learn about their compact ...

### 10kV-35kV Wind / Solar Box-type

## Prefabricated Substation manufacturer

Discover Vziman's 10kV-35kV box-type prefabricated substation for wind and solar energy, engineered for efficiency, durability, and smart control.



### CN211720114U

The utility model relates to a transformer substation technical field specifically is an integrated compact modularization 35kV box-type substation.

## Box-Type Substation Prefabricated Cabin

The enclosure of the substation is composed of three parts: base frame, outer shell, and roof cover. The base is generally made from channel steel, angle steel, flat steel, or steel plates, formed by welding ...



## Solar-Powered Telecom Cabinet

With this solar-powered solution, telecom operators can reduce their reliance on the grid and ensure uninterrupted communication services

even in remote areas. This telecom cabinet is equipped with a ...



## Integrated Outdoor Telecom & Solar Cabinet with Cooling

This Outdoor Telecom and Solar Electrical Enclosure is designed to house and protect communication equipment, solar controllers, inverters, batteries, and electrical distribution systems in one integrated ...



## Photovoltaic Prefabricated Transformer Substation (YB-35/0.4-1250)



Engineered for rapid deployment and minimal on-site work, this box-type substation is widely used in utility-scale PV farms, distributed inverter systems, and hybrid solar-storage installations. It complies ...

**Contact Us**

For catalog requests, pricing, or partnerships, please visit:  
<https://www.espay.es>

