

Espay Solar Energy S.L.

The role of the cabinet-type energy storage system in Lesotho



Overview

These cabinets store excess solar energy, 2. provide backup electricity during outages, 3. contribute to environmental sustainability. An outdoor cabinet ESS is essentially a robust, weatherproof cabinet that houses the key components of an energy storage system, including batteries, inverters, and other essential electronics. Installation and maintenance costs can add 20–30%. With 80% of the country sitting over 1,800 meters above sea level, energy storage here needs to be as tough as a Basotho blanket in winter. Enter the Jingneng Energy Storage Box, a game-changer that's turning rocky terrain into renewable energy goldmines. Renewable energy integration and decarbonization of world.

The role of the cabinet-type energy storage system in Lesotho

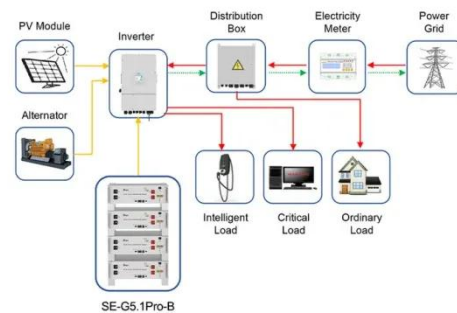


Lesotho Jingneng Energy Storage Box: Powering the Mountain ...

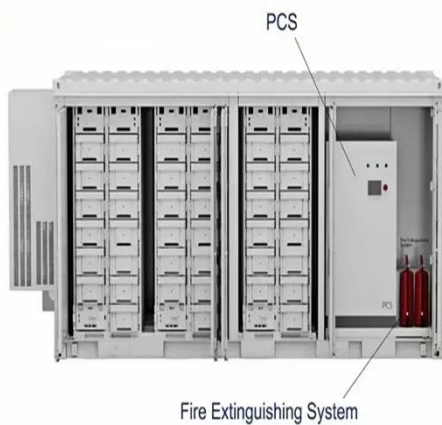
With 80% of the country sitting over 1,800 meters above sea level, energy storage here needs to be as tough as a Basotho blanket in winter. Enter the Jingneng Energy Storage Box, a game-changer ...

Which smart energy storage cabinet companies are there in Lesotho

This guide explores practical strategies to monetize energy storage equipment in Lesotho, backed by real-world examples and market trends. Whether you're a solar developer, entrepreneur, or



Application scenarios of energy storage battery products



Development of new energy storage industry in Lesotho

The 14th Five-year Plan is an important new window for the development of the energy storage industry, in which energy storage will become a key supporting technology for renewable energy and China's ...

Lesotho Industrial Energy Storage Cabinet Customization

Huijue Group's Industrial and commercial energy storage system adopts an integrated design concept, integrating batteries, battery management system BMS, energy management system EMS, modular ...



LESOTHO OUTDOOR ENERGY STORAGE CABINET

Lithium ion battery storage cabinets represent a cutting-edge solution for safe and efficient energy storage management. These specialized cabinets are engineered to house lithium ion batteries in a ...

Maseru Distributed Energy Storage Cabinets Reliable Solutions for

As Maseru accelerates its renewable energy transition, distributed storage cabinets have emerged as essential infrastructure. Whether you're managing a factory, commercial complex, or solar farm, ...



LESOTHO TYPES OF ENERGY STORAGE TECHNOLOGIES

We develop battery modules, racks and energy storage systems designed to



power industrial applications across challenging sectors, including construction, maritime, defence, and grid systems.

LESOTHO TYPES OF ENERGY STORAGE TECHNOLOGIES

Cost and Performance Assessment provided installed costs for six energy storage technologies: lithium-ion (Li-ion) batteries, lead-acid batteries, vanadium redox flow batteries, pumped storage hydro, ...



Lesotho Battery Energy Storage Project

Summary: Lesotho's growing energy demands and renewable energy potential make lithium battery storage systems a game-changer. This article explores applications, challenges, and Imagine a ...

Lesotho Energy Storage System Powering Renewable Growth

With 85% of its electricity imported from neighboring countries, this mountainous

kingdom is turning to storage solutions to stabilize its grid and harness local renewable resources. Let's explore how

...



Contact Us

For catalog requests, pricing, or partnerships, please visit:
<https://www.espay.es>

