

Espay Solar Energy S.L.

The working principle of photovoltaic panels



The working principle of photovoltaic panels

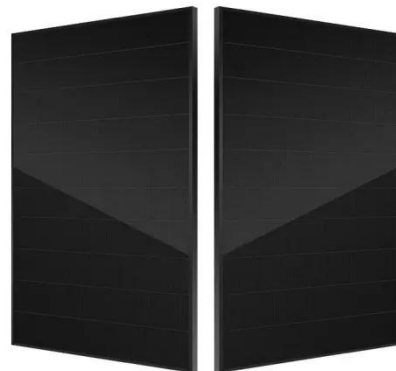


Solar cell , Definition, Working Principle, & Development , Britannica

Voltage is generated by solar cells made from specially treated semiconductor materials, such as silicon. Solar cells, whether used in a central power station, a satellite, or a calculator, have ...

The Working Principle of Solar Panels

This article delves into the working principle of solar panels, exploring their ability to convert sunlight into electricity through the photovoltaic effect.

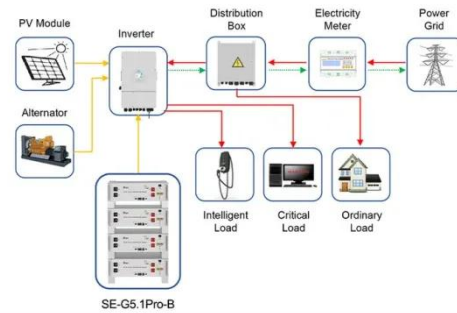


How do solar cells work?

Just like the cells in a battery, the cells in a solar panel are designed to generate electricity; but where a battery's cells make electricity from chemicals, a solar panel's cells generate ...

solar_energy_v8.pdf

In this chapter we present a very simple model of a solar cell. Many notions presented in this chapter will be new but nonetheless the general idea of how a solar cell works should be clear. All the aspects ...



Application scenarios of energy storage battery products



Chapter 1: Introduction to Solar Photovoltaics - Solar Photovoltaics

Photovoltaic technology, often abbreviated as PV, represents a revolutionary method of harnessing solar energy and converting it into electricity. At its core, PV relies on the principle of the photovoltaic ...

How Does Solar Work?

When the sun shines onto a solar panel, energy from the sunlight is absorbed by the PV cells in the panel. This energy creates electrical charges that move in response to an internal electrical field in ...



PV Cell Construction and Working

The core principle behind the operation of PV cells is the photovoltaic effect, which involves the generation of voltage and electric current in a material upon

exposure to light.



Solar Cell: Working Principle & Construction (Diagrams Included)

Working Principle: The working of solar cells involves light photons creating electron-hole pairs at the p-n junction, generating a voltage capable of driving a current across a connected load.



How do solar panels work? Solar power explained

At a high level, solar panels are made up of solar cells, which ...

Solar Cell: Working Principle & Construction (Diagrams Included)

This article delves into the working principle of solar panels, exploring their ability to convert sunlight into electricity through the photovoltaic effect.



How do solar panels work? Solar power explained



At a high level, solar panels are made up of solar cells, which absorb sunlight. They use this sunlight to create direct current (DC) electricity through a process called "the photovoltaic effect."

PV Cell Working Principle - How Solar Photovoltaic Cells Work

A solar panel is composed of multiple interconnected solar cells. When sunlight hits these cells, the photovoltaic effect generates a direct current (DC) electrical flow.



Contact Us

For catalog requests, pricing, or partnerships, please visit:
<https://www.espay.es>

