

Espay Solar Energy S.L.

Uruguayan lithium energy storage system manufacturer



Overview

6Wresearch actively monitors the Uruguay Lithium-Ion Battery Energy Storage System Market and publishes its comprehensive annual report, highlighting emerging trends, growth drivers, revenue analysis, and forecast outlook. A 2023 pilot project using EK SOLAR's 2MWh lithium storage system achieved:

1. Grid Frequency Regulation Lithium systems respond within milliseconds to balance Uruguay's national grid – crucial for preventing blackouts during sudden weather changes. Commercial Backup Power Supermarkets. Uruguay is a frontrunner in renewable energy integration in Latin America, with developing potential in the areas of battery storage and smart grid technologies. The country's electricity matrix is highly renewable, with over 97% of its power generated from renewable sources.

Uruguayan lithium energy storage system manufacturer



Energy Storage System Manufacturer in Peso City Uruguay Powering ...

As Uruguay continues its renewable energy leadership, energy storage system manufacturers in Peso City are crucial for managing intermittency and optimizing clean power usage.

Energy Storage Manufacturers in Zambia and Uruguay: Trends, ...

When you think of energy storage manufacturers, Zambia and Uruguay might not be the first countries that come to mind. But here's the kicker--both nations are quietly becoming hotspots ...



Uruguay energy storage lithium battery



ium-Ion Battery Energy Storage System. Designed by data center experts for data center users, the Vertiv(TM) HPL battery cabinet brings you cutting edge lithium-ion battery techn

URUGUAYAN ENERGY STORAGE

CONTAINER MANUFACTURER

What is a containerized energy storage system? The Containerized energy storage system refers to large lithium energy storage systems installed in sturdy, portable shipping containers, which usually ...



Uruguay Lithium-Ion Battery Energy Storage System Market (2025 ...

6Wresearch actively monitors the Uruguay Lithium-Ion Battery Energy Storage System Market and publishes its comprehensive annual report, highlighting emerging trends, growth drivers, revenue ...

Uruguayan Power Storage System Manufacturer Innovations Driving

As global demand for renewable energy integration grows, Uruguayan power storage system manufacturers have emerged as key players in designing scalable solutions.



Uruguay's 80kW Lithium Battery Energy Storage System: Powering ...

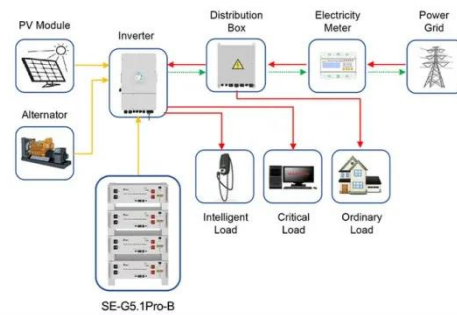
DRAKOULIS SOLAR - Summary: Discover how Uruguay's adoption of 80kW lithium battery energy storage systems with

advanced inverters is revolutionizing renewable energy integration.



Uruguay Lithium-ion Battery Energy Storage Systems Market (2024 ...

Uruguay Lithium-ion Battery Energy Storage Systems Market is expected to grow during 2023-2029



Application scenarios of energy storage battery products



Uruguay Battery Storage and Smart Grids

Uruguay is a frontrunner in renewable energy integration in Latin America, with developing potential in the areas of battery storage and smart grid technologies.

Uruguayan Power Storage System Manufacturer Innovations Driving

With over 98% of Uruguay's electricity generated from renewables like wind and solar, the need for advanced storage systems has skyrocketed. But what

makes these manufacturers stand out in
a ...



Uruguay Peso City Power: Lithium Batteries & Energy Storage Solutions

Discover how lithium batteries are transforming Uruguay's energy infrastructure. As renewable energy adoption accelerates globally, Uruguay Peso City Power exemplifies how lithium-ion technology ...

Contact Us

For catalog requests, pricing, or partnerships, please visit:
<https://www.espay.es>

