

Espay Solar Energy S.L.

Vientiane energy storage for renewable energy



Vientiane energy storage for renewable energy



Vientiane Lithium Battery Energy Storage Technology: Powering ...

Summary: Explore how Vientiane's lithium battery energy storage systems (ESS) are transforming renewable energy adoption across Southeast Asia. This article covers applications, market trends, ...

Vientiane energy storage

VIENTIANE, May 15 (Xinhua) -- The Lao government and a company from Thailand have collaboratively formed a joint venture company named Super Holding Company, to manage the clean energy ...



Product Model
 HJ-ESS-215A(100KW/215KWh)
 HJ-ESS-115A(50KW/115KWh)

Dimensions
 1600*1280*2200mm
 1600*1200*2000mm

Rated Battery Capacity
 215KWH/115KWH

Battery Cooling Method
 Air Cooled/Liquid Cooled



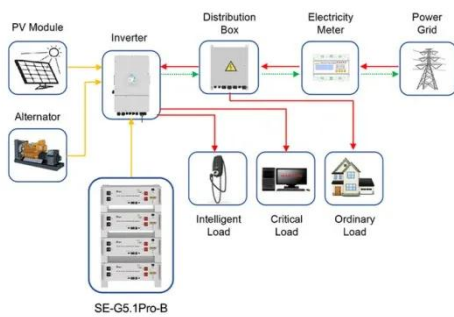
Vientiane Energy Storage Battery: Powering Southeast Asia's ...

Who Needs Energy Storage Solutions in Laos? Imagine your business as a car driving through Laos' mountainous terrain - without a reliable engine, you'll stall when the road gets steep. That's exactly ...

VIENTIANE NEW ENERGY STORAGE

INDUSTRIAL PARK ...

Solar Cell Energy Storage in Asia Countries like China, Japan, South Korea, and Australia are leading the way in energy storage deployment, with significant projects aimed at stabilizing the grid and ...



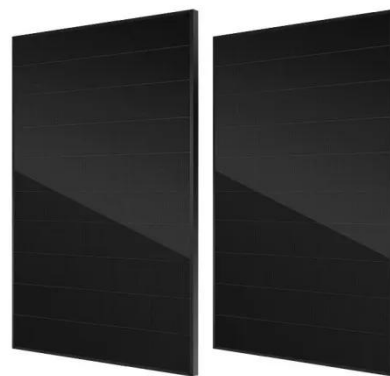
Application scenarios of energy storage battery products

Vientiane Battery Energy Storage System: Powering Sustainable Energy

In the heart of Southeast Asia, the Vientiane Battery Energy Storage System is emerging as a game-changer for renewable energy integration and grid stability. This article explores how this innovative ...

Vientiane's Energy Revolution: Wind, Solar & Storage Synergy

Why Vientiane Can't Afford Delayed Energy Transition You know, Vientiane's electricity demand grew 12% annually since 2020 - that's twice Southeast Asia's average. With hydropower providing 80% of ...



Vientiane Energy Storage Equipment Case: Powering Sustainable ...



Why Energy Storage Solutions Matter for Lao PDR's Development In the heart of Southeast Asia, Vientiane's energy storage equipment case demonstrates how modern battery systems are ...

Vientiane Power Energy Storage: How Laos is Leading Southeast ...

The Silent Crisis in Energy Grids - And How Vientiane Answers You know, Southeast Asia's energy demand is growing 6% annually - faster than any region except Africa. But here's the kicker: ...



Commercial Energy Storage Solutions in Vientiane: Powering ...

Summary: Explore how Vientiane's businesses are adopting commercial energy storage systems to reduce costs, stabilize power supply, and support renewable energy integration. Discover real-world ...

Contact Us

For catalog requests, pricing, or partnerships, please visit:

<https://www.espay.es>

