

Espay Solar Energy S.L.

ZPMC Photovoltaic Energy Storage Project



Overview

ZPMC Electric Group has developed the mobile container photovoltaic power station with integration of power generation and storage, of which the top feature means integrating all the equipment of solar power photovoltaic cell panel, controller, inverter and accumulator. ZPMC Electric Group has developed the mobile container photovoltaic power station with integration of power generation and storage, of which the top feature means integrating all the equipment of solar power photovoltaic cell panel, controller, inverter and accumulator. Keenly aware of the vital role solar energy plays in the new economy, ZPMC started a series of photovoltaic power station construction projects in 2016. In this paper, plug and play solar photovoltaic power plant to charge electric vehicles (EVs) is proposed and modelled using MATLAB/Simulink software. The proposed system can act as a mobile power plant. The controller allows the system to charge the battery, whenever there is abundant solar. Cuba has finished building 130 MW of solar capacity across five locations, with each plant featuring 21. It aims to connect another 1 GW of utility-scale solar to the national grid. [pdf] Today we see that a major part of energy consumption in mobile networks comes from the radio base station. How many power plants are in Los Angeles?

[View all available electricity data in Los Angeles, CA.](#) [View monthly electricity generation, the breakdown by power source, details on the 29 power plants in Los Angeles, CA, and more.](#)

ZPMC Photovoltaic Energy Storage Project

HEAT DISSIPATION

Cold aisle containment, making optimal refrigeration effect;

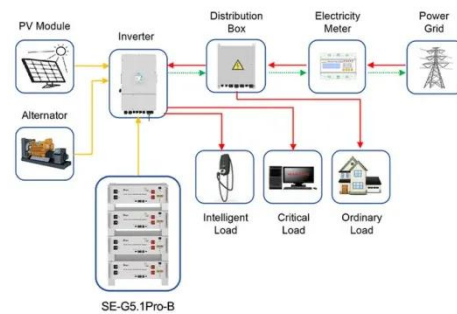


ZPMC Photovoltaic Projects Overview

Keenly aware of the vital role solar energy plays in the new economy, ZPMC started a series of photovoltaic power station construction projects in 2016. Up t

MOBILE PHOTOVOLTAIC POWER STATION BY ZPMC

This article establishes a full life cycle cost and benefit model for independent energy storage power stations based on relevant policies, current status of the power system, and trading rules of the ...



Application scenarios of energy storage battery products



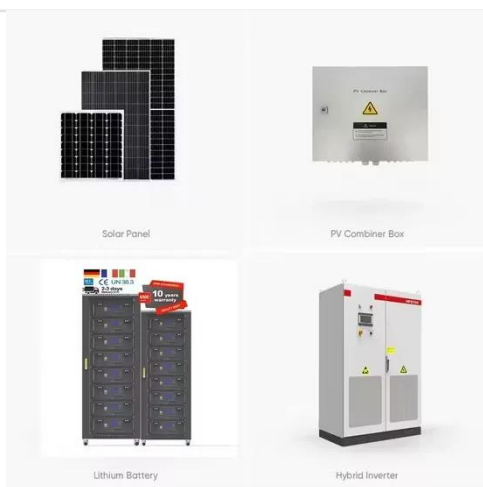
MOBILE PHOTOVOLTAIC POWER STATION BY ZPMC SHANGHAI

This work presents a review of energy storage and redistribution associated with photovoltaic energy, proposing a distributed micro-generation complex connected to the electrical power grid using ...

MOBILE PHOTOVOLTAIC POWER

STATION BY ZPMC

Photovoltaic energy storage cabinets are designed specifically to store energy generated from solar panels, integrating seamlessly with photovoltaic systems. [pdf]



MOBILE PHOTOVOLTAIC POWER STATION BY ZPMC SHANGHAI

This review paper sets out the range of energy storage options for photovoltaics including both electrical and thermal energy storage systems. The integration of PV and energy storage in smart buildings ...

Mobile photovoltaic power station by ZPMC

The photovoltaic cell panel can be spread for normal power consumption with simple electric or manual operation. It's quite easy to move it to other positions by folding the photovoltaic panel into a ...



Contact Us

For catalog requests, pricing, or partnerships, please visit:

<https://www.espay.es>

